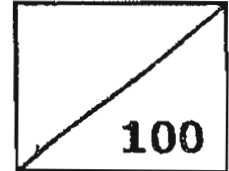




Rosyth School
Second Semestral Assessment 2007
Mathematics
Primary 4



Name: _____

Class: Pr 4- _____ Register No. _____ Duration: 1h 45 min

Date: 30 Oct 2007

Parent's Signature: _____

Instructions to Pupils:

1. Do not open this booklet until you are told to do so.
2. Follow all instructions carefully.
3. This paper consists of 3 parts, Sections A, B and C.
4. For questions 1 to 20 in Section A, shade the correct ovals on the Optical Answer Sheet (OAS).

	Maximum	Marks Obtained
Section A	40	
Section B	40	
Section C	20	
Total	100	

* This paper consists of 19 pages altogether.

This paper is not to be reproduced in part or whole without the permission of the Principal.

Section A (40 marks)

Question 1 to 20 carries 2 marks each. For each question, four options are given. One of them is the correct answer. Make your choice (1, 2, 3 and 4). Shade the correct answer on the OAS (Optical Answer Sheet).

- 1) Round off 13 576 to the nearest hundred.
 - (1) 13 000
 - (2) 13 500
 - (3) 13 580
 - (4) 13 600

- 2) In the number 456.238, which digit is in the hundredth place?
 - (1) 8
 - (2) 2
 - (3) 3
 - (4) 4

- 3) Which one of the following numbers is the largest?
 - (1) 0.8
 - (2) 0.73
 - (3) 0.099
 - (4) 0.690

- 4) 3 ones, 7 tenths and 5 thousandths is _____.
 - (1) 0.375
 - (2) 3.075
 - (3) 3.705
 - (4) 3.75

5) $36.275 = 36 + 0.2 + \boxed{} + 0.005$

What is the missing number in the box?

(1) $\frac{7}{10}$

(2) $\frac{7}{100}$

(3) $\frac{7}{1000}$

(4) 7

6) $20 \times \boxed{} \times 2 = 100 + 60$. What is the missing number in the box?

(1) 160

(2) 40

(3) 8

(4) 4

7) Arrange the following numbers from the smallest to the largest.

8.88, 8.8, 8.08

(1) 8.88, 8.8, 8.08

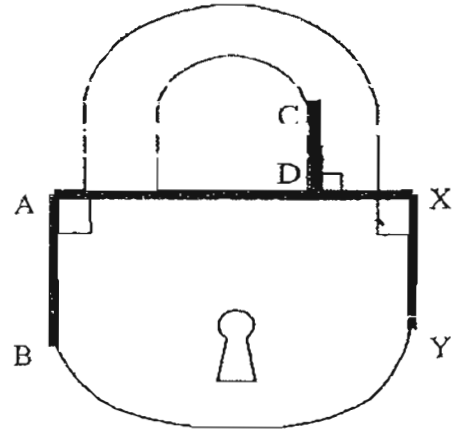
(2) 8.08, 8.88, 8.8

(3) 8.8, 8.88, 8.08

(4) 8.08, 8.8, 8.88

8) Name a pair of parallel lines.




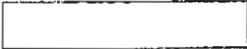
- (1) AB and CD
- (2) CD and AD
- (3) BA and AX
- (4) DX and XY



9) Which one of the following letters has perpendicular lines?

- (1) E
- (2) M
- (3) Y
- (4) Z

10) Which figure below has four right angles and four lines of symmetry?

- (1) 
- (2) 
- (3) 
- (4) 

11) Which one of the following words has a horizontal line of symmetry?

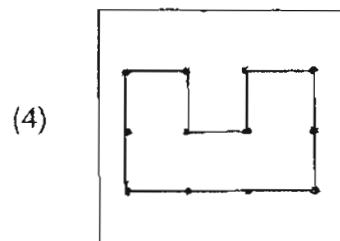
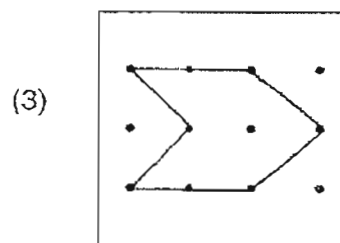
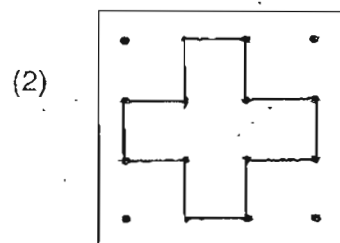
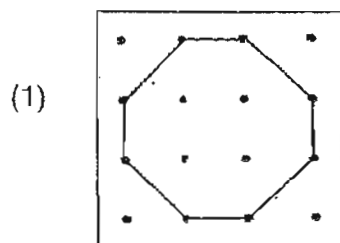
(1) BAD

(2) DYE

(3) HEX

(4) LID

12) Which of the unit shape below cannot be tessellated?



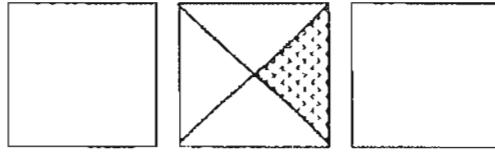
- 13) There are three similar squares.
What fraction of the squares is NOT shaded?

(1) $\frac{1}{12}$

(2) $\frac{1}{4}$

(3) $\frac{11}{12}$

(4) $\frac{11}{4}$



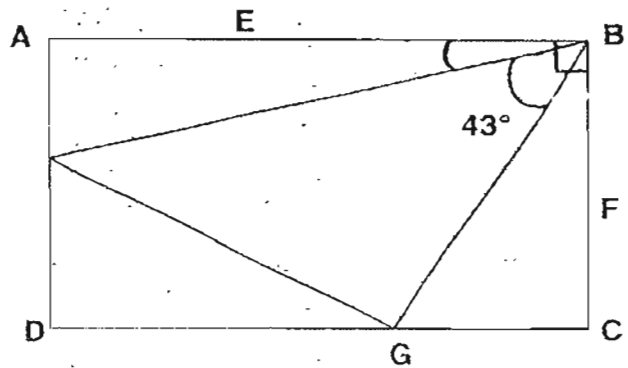
- 14) ABCD is a rectangle. Find $\angle CBG$.

(1) 28°

(2) 47°

(3) 62°

(4) 71°



- 15) Mary bought 8 boxes of chocolate and paid with a \$50 note. If she received change of \$16.80, how much did each ~~bar~~ box of chocolate cost?

(1) \$2.10

(2) \$4.15

(3) \$8.35

(4) \$33.20

16) The area of a square is 64 cm^2 . Find its perimeter.

- (1) 8 cm
- (2) 16 cm
- (3) 32 cm
- (4) 48 cm

17) What is 4 hours 50 minutes after 11 45 ?

- (1) 15 35
- (2) 15 45
- (3) 16 35
- (4) 16 45

18) The table shows the number of drinks a drink stall sold from Monday to Friday, in a particular week.

Day Of The Week	Number Of drinks sold
Monday	324
Tuesday	486
Wednesday	162
Thursday	648
Friday	81

On which day did the drink stall sell twice the number of drinks as Monday?

- (1) Tuesday
- (2) Wednesday
- (3) Thursday
- (4) Friday

19) A watch costs two times as much as a bag. Two similar watches and three similar bags cost \$693. What is the cost of a watch?

- (1) \$99
- (2) \$138.60
- (3) \$198
- (4) \$277.20

20) Mimi collected some seashells. Nancy collected half of what Mimi had collected. Guthrie had a third of what Nancy had. There were a total of 120 seashells. How many seashells did Mimi collect?

- (1) 24
- (2) 30
- (3) 72
- (4) 100

Section B (40 marks)

For each question, show your working clearly in the space below each question and write your answer in the answer boxes provided. Give your answers in the units stated. Questions 21 to 40 carry 2 marks each.

21) Form the biggest odd number with these numbers :

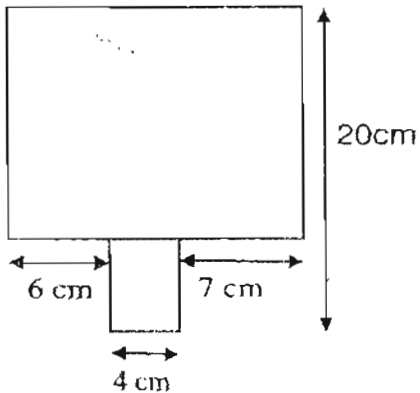
8, 7, 4, 9

22) There were 40 tiny cupcakes. Dave ate $\frac{1}{5}$ of it.

How many cupcakes were left?

23) Express 10 fifths in the simplest form.

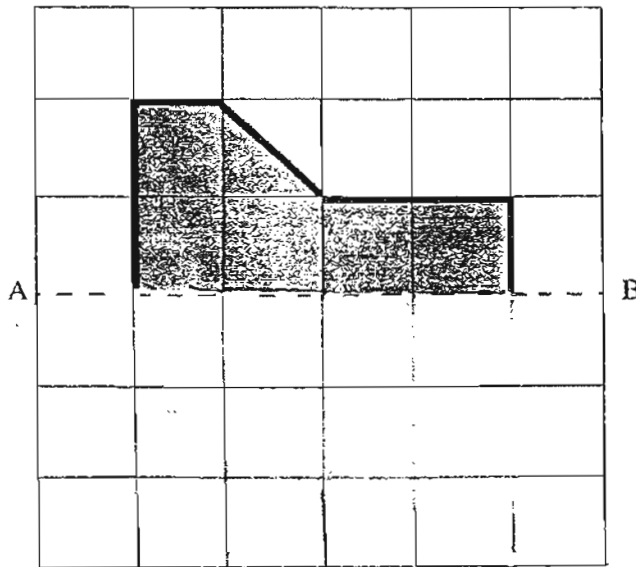
24) Find the perimeter of the figure.

 cm²

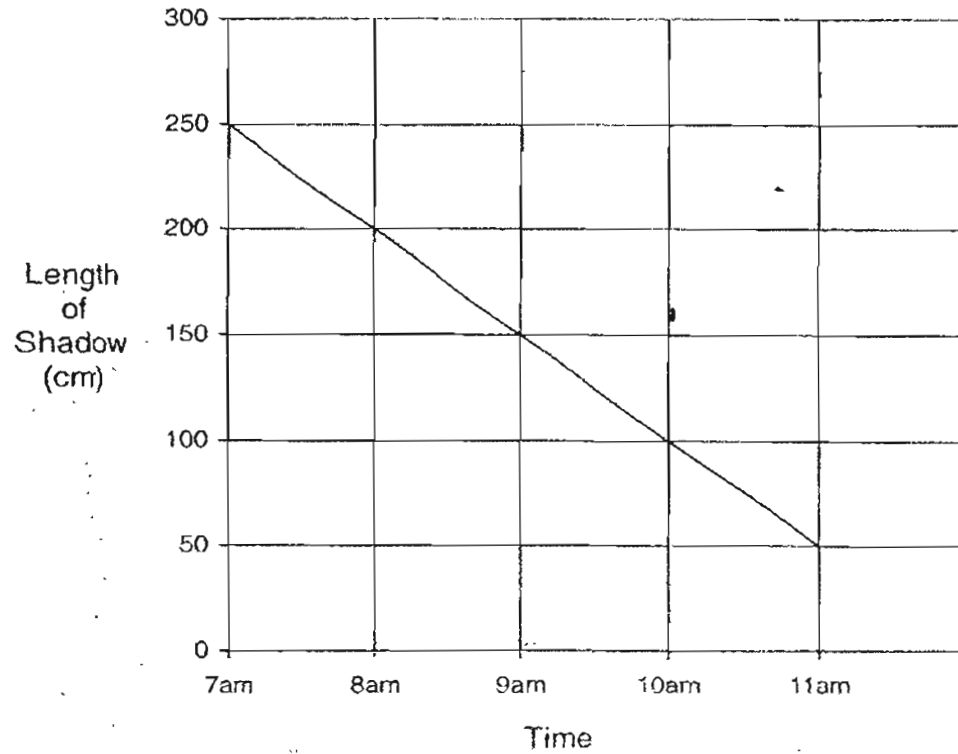
25) There are 854 pupils in a school.

- What is the **least** number of groups that can be formed if each group has an equal number of pupils?
There must not be more than 9 pupils in each group.
No pupil should be left without a group.

26) Complete the symmetric figure below, with AB as the line of symmetry.



The line graph shows the length of a shadow of a tree from 7 a.m. to 11 a.m. Study it carefully and answer questions 27 and 28.



- 27) What was the time when the length of the shadow was 100 cm?

- 28) What was the difference between the lengths of the shadow at 8 a.m. and 11 a.m. ?

29) ☀ + 🎵 + 😊 = 34

☀ + 😊 = 18

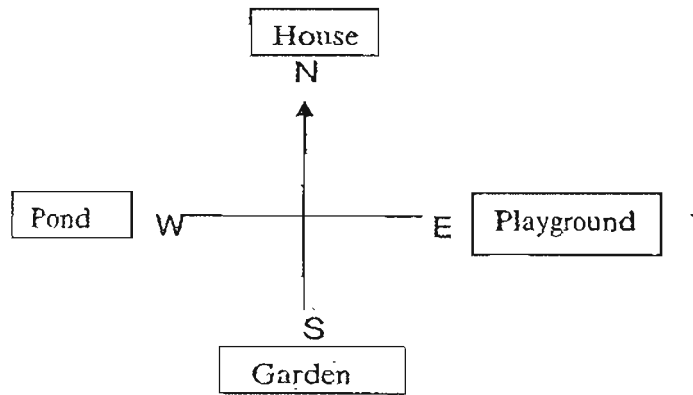
☀ + 😊 - 🎵 =

What is the missing number in the box?

- 30) There were 279 apples in a box. 23 apples had to be thrown away after they were found to be rotten. The rest of the remaining apples were repacked into 4 bags equally. How many apples were in each bag?

- 31) Find the value of $4\frac{1}{2} - 1\frac{2}{3}$.

Use the diagram below to answer Questions 32 and 33.



- 32) Andrew is facing North. If he were to make $\frac{1}{4}$ -turn anti-clockwise, where would he be facing?

- 33) If Andrew is now facing the garden, how many $\frac{1}{4}$ -turns clockwise must he make to face the playground?

- 34) Annie and Elaine have a total mass of 110.4kg. Elaine is 3 kg lighter than Annie. What is Elaine's mass?

- 35) The length of 1 rope is 53.37m. What is the length of 4 similar ropes?

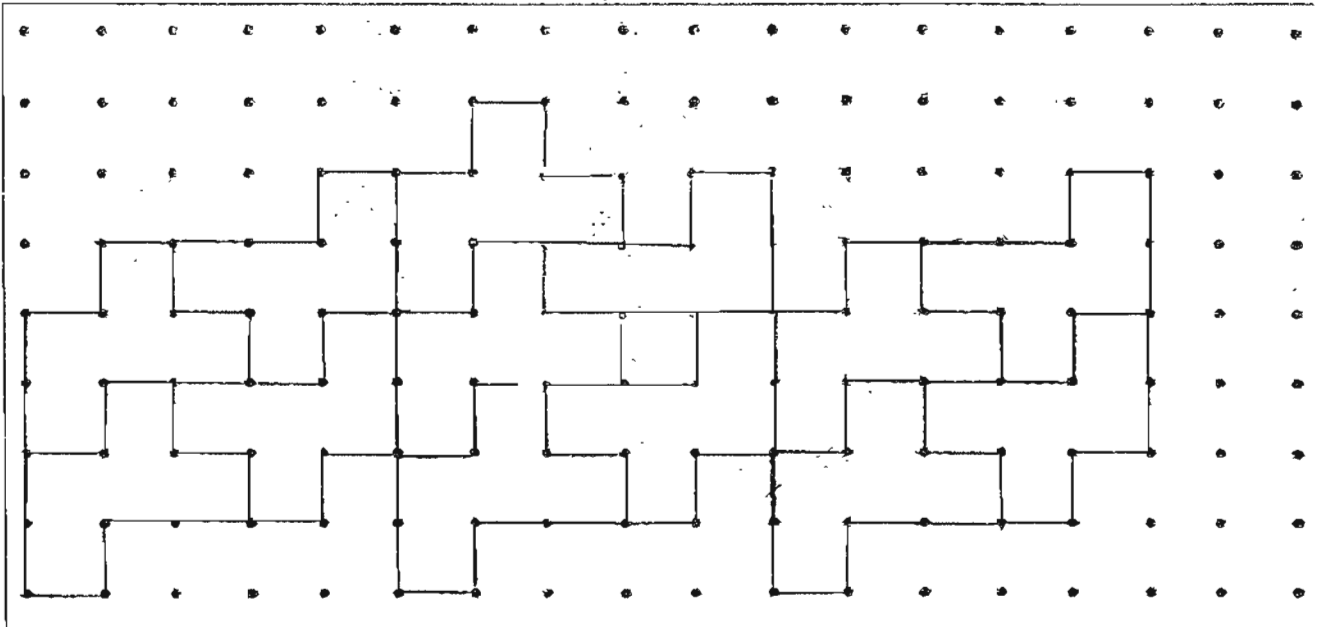
36) 3kg of longans cost \$5.10. What is the cost of 9kg of longans?

\$

37) The Koh family watched a musical which ended at 2215 on Saturday night. The musical lasted $3\frac{1}{2}$ hours. At what time did the musical begin?

p.m.

- 38) The pattern in the box shows part of a tessellation.
(a) Shade a unit shape of the tessellation given. (1m)
(b) Extend the tessellation by drawing 2 more unit shapes in the space provided in the box. (1m)



39) Cay has 13 less beads than Betty.

Betty has four times as many as Anna.

Anna has 290 beads. How many beads does Cay have?

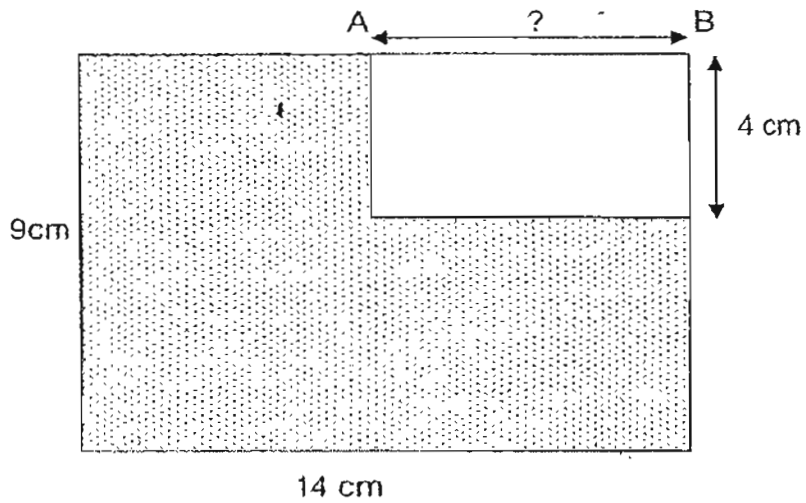
40 Philip earned \$0.10 for every newspaper he sold. He earned an extra of \$2.50 for every 100 copies of newspaper sold. How much did he earn if he sold 100 copies of newspaper?

Section C (5 x 4 marks)

For questions 41 to 45, show your working clearly in the space below each question and write your answers in the blanks provided. The marks for each question are given in the brackets.

41) The figure below is made up of two rectangles. Area of the shaded part is 98 cm^2 .

Find the length of AB if the breadth is 4 cm. (Not drawn to scale)



Ans: _____ (4 marks)

- 42) Peter scored a total of 4311 points in three games.
In the second game, he scored 3 times as many points as the first game.
In the third game, he did badly and scored half of the first game's points.
- a) How many points did he score in the third game?
 - b) What was the highest score?

Ans: a) _____ (2 marks)

b) _____ (2 marks)

43) There is a total of 71 cars and motorcycles. There are 250 wheels altogether.

- a) How many cars are there?
- b) How many more cars than motorcycles are there?

Ans: a) _____ (2 marks)

b) _____ (2 marks)

- 44) Stick A is 3.2m longer than Stick B. Stick C is twice as long as Stick A. If Stick C is 18m longer than Stick B, what is the total length of all 3 sticks?

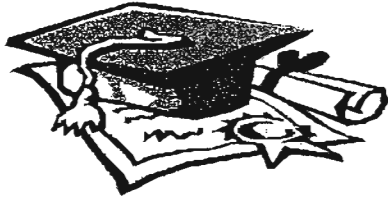
Ans: _____ (4 marks)

- 45) Peter and Agnes had the same amount of orange juice at first. When Agnes served her guests with 16.28 litres of her orange juice, Peter had 5 times as much orange juice as Agnes. How much orange juice did Agnes have at first?

Ans: _____ (4 marks)

~END OF PAPER~

Have you checked your work thoroughly?

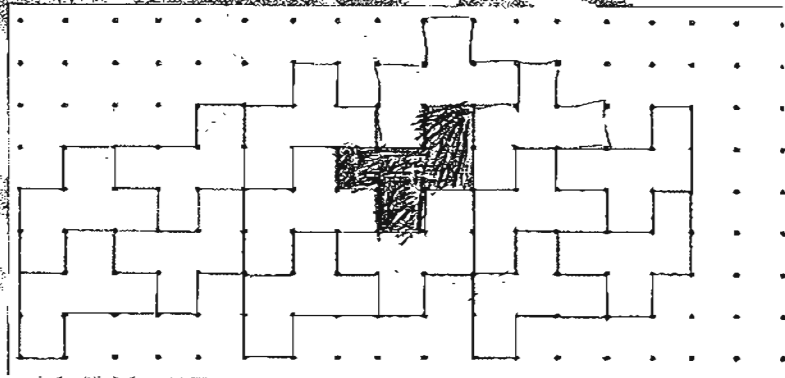


ANSWER SHEET

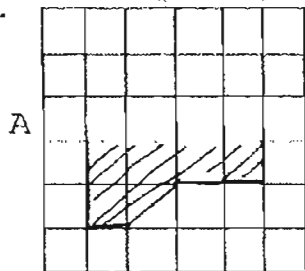
ROSYTH PRIMARY SCHOOL - PRIMARY 4 MATHEMATICS 2007
SEMESTRAL ASSESSMENT (2)

1. 4
2. 3
3. 1
4. 3
5. 2
6. 4
7. 4
8. 1
9. 1
10. 2
11. 3
12. 1
13. 4
14. 1
15. 2
16. 3
17. 3
18. 3
19. 3
20. 3
21. 9847
22. 32
23. 2
24. 74cm
25. 122
- 26.

- 27) 10 a.m.
- 28) 150cm
- 29) 2
- 30) 64
- 31) $2\frac{5}{6}$
- 32) Pond
- 33) 3
- 34) 53.7kg
- 35) 213.48m
- 36) \$15.30
- 37) 6.45pm
- 38)



- 39) 1147
- 40) \$12.50



41) $14 \times 9 = 126$
 $126 - 98 = 28$
 $28 \div 4 = 7 \text{ cm}$
The length is 7 cm

42) a) $4311 \div 9 = 479$
He scored 479 in the third game.
b) $479 \times 6 = 2874$
The highest score is 2874

43) a) There are 54 cars.
b) There are 37 more cars than motorcycles.

44) $18 - 3.2 = 14.8$
 $14.8 \times 4 = 59.2$
 $59.2 - 3.2 = 56$
The total length is 56

45) $16.28 \div 4 = 4.07$
 $16.28 + 4.07 = 20.35$
Agnès had 20.35 litres of orange juice at first.