



NAN HUA PRIMARY SCHOOL
CONTINUAL ASSESSMENT TWO – 2014
PRIMARY 5

MATHEMATICS

Paper 1

Section A: 15 Multiple Choice Questions (20 marks)

Section B: 15 Short Answer Questions (20 marks)

Total Time for Paper 1: 50 minutes

INSTRUCTION TO CANDIDATES

1. Write your name and index number in the space provided.
2. Do not turn over the page until you are told to do so.
3. Follow all instructions carefully.
4. Answer all questions.
5. Shade your answers in the Optical Answer Sheet (OAS) provided for Questions 1-15.
6. You are not allowed to use calculator for Paper 1.

Marks Obtained

Paper 1	Booklet A		/ 40
	Booklet B		
Paper 2			/ 60
Total			/ 100

Name : _____ ()

Class : 5 _____

Date : 26 August 2014

Parent's Signature : _____

Section A (20 marks)

Questions 1 to 10 carry 1 mark each. Questions 11 to 15 carry 2 marks each. For each question, four options are given. One of them is the correct answer. Make your choice (1, 2, 3 or 4) and shade on the oval (1, 2, 3 or 4) on the Optical Answer Sheet.

1. Round off 298 735 to the nearest thousands.

- (1) 290 000
- (2) 298 000
- (3) 299 000
- (4) 300 000

2. Find the value of 2.06×90

- (1) 1.854
- (2) 18.54
- (3) 185.4
- (4) 1854

3. Express 4.2 km in metres.

- (1) 4 200 m
- (2) 4 002 m
- (3) 420 m
- (4) 402 m

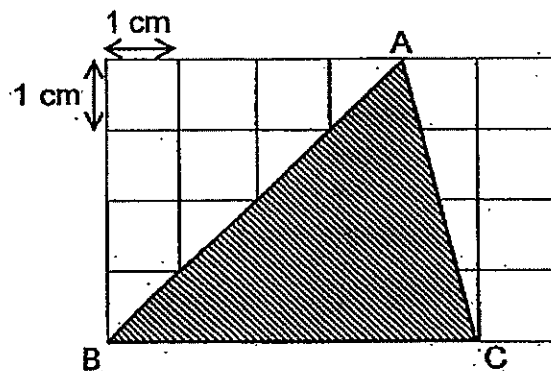
4. Express 50¢ as a percentage of \$4.

- (1) $\frac{1}{8}\%$
- (2) 8%
- (3) $12\frac{1}{2}\%$
- (4) 800%

5. What is the missing number in the box?

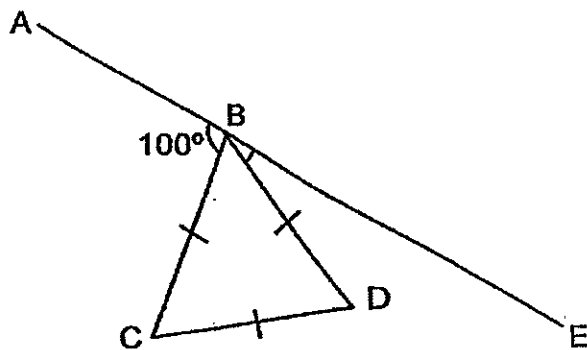
$$0.52 = \frac{52}{\boxed{}}$$

- (1) 1
 - (2) 10
 - (3) 100
 - (4) 1 000
6. Find the area of the shaded triangle ABC.



- (1) 6 cm²
- (2) 8 cm²
- (3) 10 cm²
- (4) 18 cm²

7. Express $\frac{2}{7}$ as a decimal and correct it to 2 decimal places.
- (1) 0.27
 (2) 0.28
 (3) 0.29
 (4) 0.30
8. Mother cracked 10 eggs to cook some dishes and had 40 eggs left. What percentage of the eggs had she left?
- (1) 20%
 (2) 25%
 (3) 75%
 (4) 80%
9. The figure below, not drawn to scale, is made up of an equilateral triangle BCD and a straight line ABE. Find $\angle DBE$.



- (1) 20°
 (2) 40°
 (3) 60°
 (4) 80°

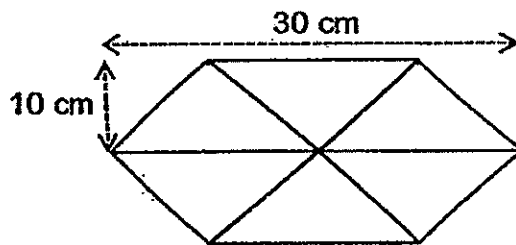
10. If 25% of a number is 80, what is the number?

- (1) 20
- (2) 60
- (3) 100
- (4) 320

11. $\frac{5}{8}$ of the fish in a fish tank are goldfish. $\frac{1}{6}$ of the remainder are mollies and the rest are guppies. What is the ratio of the number of guppies to the total number of fish?

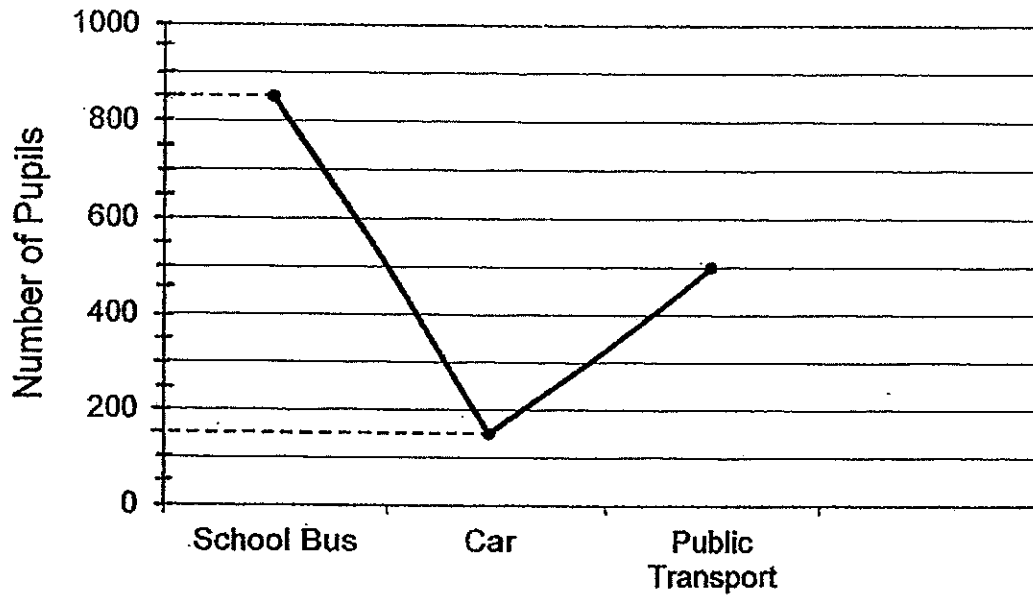
- (1) 1 : 4
- (2) 1 : 7
- (3) 4 : 7
- (4) 5 : 16

12. The figure below, not drawn to scale, is made up of 6 identical triangles. What is the area of the figure?



- (1) 150 cm²
- (2) 300 cm²
- (3) 450 cm²
- (4) 900 cm²

13. The line graph below shows the number of pupils coming to school using different modes of transport.



20% of the pupils taking the school bus and half of the pupils taking public transport are girls. What is the total number of boys who take school bus and public transport to school?

- (1) 279
- (2) 420
- (3) 930
- (4) 945

14. Kate spent $\frac{3}{8}$ of her money on a school bag and then she bought a soft toy. If the school bag cost 6 times as much as the soft toy, what fraction of her money was left?

(1) $\frac{5}{8}$

(2) $\frac{9}{16}$

(3) $\frac{7}{16}$

(4) $\frac{3}{8}$

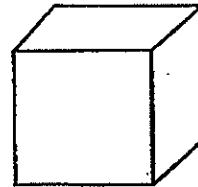
15. What is the volume of a cube if the sum of all its edges is 36 cm?

(1) 27 cm^3

(2) 64 cm^3

(3) 216 cm^3

(4) 729 cm^3



Section B (20 marks)

Questions 16 to 25 carry 1 mark each. Questions 26 to 30 carry 2 marks each.
For each question from 26 to 30, show your workings clearly in the space below it and write your answer in the space provided. Give your answers in the units stated.

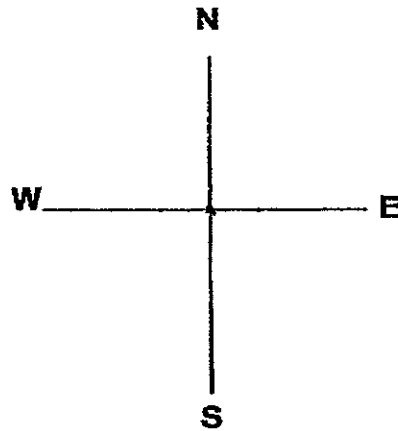
16. Write six million, six hundred and ninety thousand and five in numerals.

Ans: _____

17. Find the value of $32 + (9 \times 8) - 4$.

Ans: _____

18. Jonathan is facing North-West after making a $\frac{3}{4}$ clockwise turn.
Where was he facing at first?



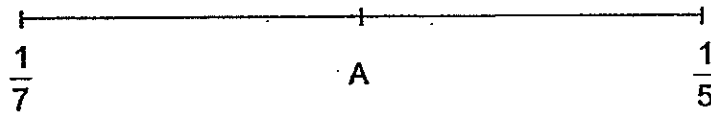
Ans: _____



19. Subtract $\frac{1}{2}$ from $5\frac{1}{6}$. Express your answer as a mixed number in its simplest form.

Ans: _____

20. Point A represents a fraction exactly between $\frac{1}{7}$ and $\frac{1}{5}$ on a number line.
What is the fraction represented by A?



Ans: _____

21. A cuboid has a square base of side 6 cm and a height of 11 cm. Find its volume.

Ans: _____ cm^3

22. Express $\frac{7}{25}$ as a percentage.

Ans: _____ %



23. Container A contained 0.25 kg of flour and Container B contained 600 g of flour. How much flour must be poured from Container B into Container A so that both containers contained the same amount of flour?

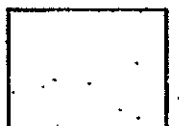
Ans: _____ g

24. Mrs. Chai prepared $\frac{7}{8}$ ℓ of lemonade in a jug. Her children drank $\frac{3}{5}$ of the lemonade. How much lemonade was left in the jug? Give your answer in fraction in the simplest form.

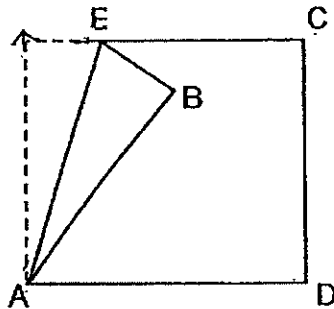
Ans: _____ ℓ

25. Pauline has a tape that is $\frac{4}{5}$ m long. She cuts the tape into 8 equal pieces. What is the length of each small piece of tape? Give your answer in fraction in the simplest form.

Ans: _____ m



26. In the figure below, a square piece of paper ABCD is folded at corner B in such a way that BE is $\frac{1}{4}$ of one side of the square. The area of triangle ABE is 18 cm^2 . Find the area of the square piece of paper.



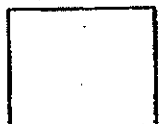
Ans: _____ cm^2

27. $\frac{3}{5}$ of the number of pears is equal to $\frac{2}{3}$ of the number of lemons.
Find the ratio of the total number pears to the total number of lemons.

Ans: _____

28. In a library, 62% of the books are English books, 23% of the books are Chinese and the rest are Malay books. If there are 800 more Chinese books than Malay books, how many Malay books are there in the library?

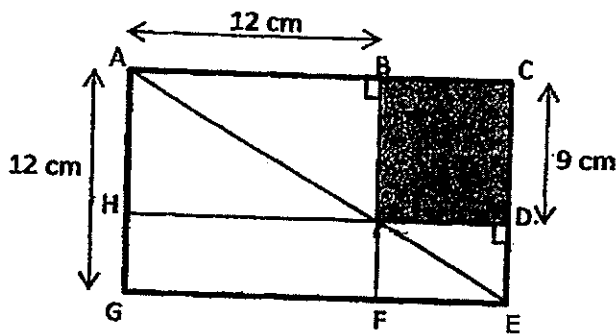
Ans: _____



29. Mr. Lee wants to put all 36 boys and all 90 girls into groups for an activity. There are more girls than boys in each group. Each group must have the same number of boys. Each group must also have the same number of girls. What is the greatest number of groups Mr. Lee can form with these conditions?

Ans: _____

30. In the figure below, ACEG is a rectangle. AE, BF and DH are straight lines. Using the given measurements, find the area of the shaded part.



Ans: _____ cm^2

End of Paper 1





**NAN HUA PRIMARY SCHOOL
CONTINUAL ASSESSMENT TWO – 2014
PRIMARY 5**

MATHEMATICS

Paper 2

Total Time for Paper 2: 1 hour 40 minutes

5 Short Answer Questions (10 marks)

13 Structured / Long Answer Questions (50 marks)

INSTRUCTION TO CANDIDATES

1. Write your name and index number in the space provided.
2. Do not turn over the page until you are told to do so.
3. Follow all instructions carefully
4. Answer all questions and show your workings clearly.
5. You are allowed to use a calculator.

Marks Obtained

Total		/ 60
--------------	--	-------------

Name : _____ ()

Class : 5 _____

Date : 26 August 2014

Parent's Signature : _____

Questions 1 to 5 carry 2 marks each. Show your working clearly in the space provided for each question and write your answers in the spaces provided. For questions which require units, give your answers in the units stated. [10 marks]

Do not write in this space

1. What is the value of the digit 2 in each of the following?

(a) 3 421

(b) 895.02

Ans: (a) _____ [1]

(b) _____ [1]

2. There are 720 children in the hall. 25% of them are boys. How many girls are there?

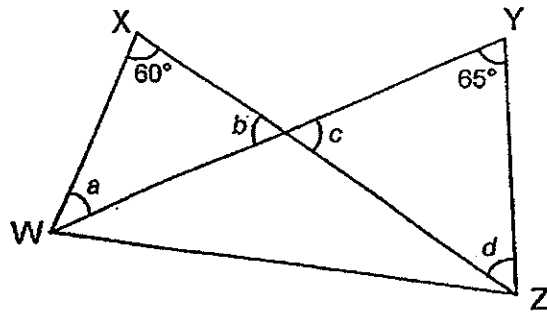
Ans: _____ [2]

3. Mr. Liu paid \$20 for 8 apples and 6 mangoes. 4 apples cost as much as 2 mangoes. What was the cost of a mango?

Ans: \$ _____ [2]

4. The diagram below, not drawn to scale, is made up of 2 overlapping triangles WXZ and WYZ. Find the sum of $\angle a$, $\angle b$, $\angle c$ and $\angle d$.

Do not write
in this space



Ans: _____° [2]

5. Dallas made some orange juice. If she poured the juice to fill completely 8 similar bottles, she would have 2 litres of juice left. If she wanted to pour the juice to fill completely 16 such bottles, she would need another 8 litres of juice. How much juice did Dallas make?

Ans: _____ litres [2]

For questions 6 to 18, show your working clearly in the space provided for each question and write your answers and the appropriate units in the spaces provided. The number of marks available is shown in the brackets [] at the end of each question or part question.
[50 marks]

Do not write
in this space

6. Janice bought a total of 28 pens and erasers. She paid \$36 altogether. The pen cost \$2 each and a set of 3 erasers cost \$1. How many erasers did Janice buy?

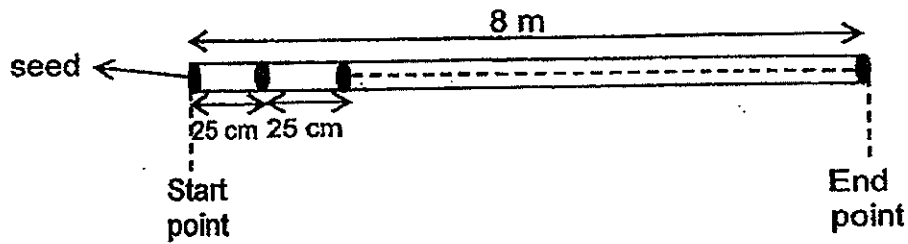
Ans: _____ [3]

7. Bill spent $\frac{2}{7}$ of his money on a shirt and 40% of the remainder on a wallet. If he had \$90 left, how much money did he have at first?

Ans: _____ [3]

Do not write
in this space

8. Along a straight 8 m field, Mabel planted a seed at every 25 cm mark, including the start and end points of the field.



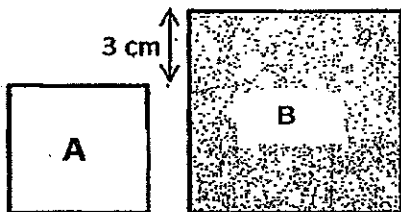
- (a) How far away was the 10th seed from the start point?
(b) How many seeds did Mabel plant altogether?

Ans: (a) _____ [1]

(b) _____ [2]



9. A and B are squares. B's length is 3 cm longer than A's length. Both the lengths of the squares are whole numbers.



If the difference in their area is 45 cm², find the perimeter of square B.

Ans: _____ [3]



Do not write
in this space

10. Mr. Chong bought some tables and chairs from a furniture mall. A table cost 5 times as much as a chair. He spent $\frac{2}{5}$ of his money on the chairs and $\frac{1}{3}$ of the remaining money on 2 tables.

What was the total number of chairs and tables bought by Mr. Chong?

Ans: _____ [3]



11. The following figures are made up of solids with triangular and rectangular faces.



Figure 1

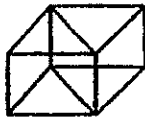


Figure 2

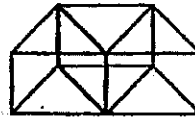


Figure 3

Figure number	Number of triangular faces	Number of rectangular faces
1	2	3
2	4	5
3	6	7
...
10	(i)	(ii)

- (a) Complete the table for figure 10 by filling in (i) and (ii) above. [2]

- (b) Which figure has a total of 51 rectangular faces?

Ans: (b) _____ [1]



Do not write
in this space

12. Bala collected Singapore, Malaysia and Thailand stamps. The ratio of the number of Thailand stamps to the total number of Singapore and Malaysia stamps was 4 : 11. The ratio of the number of Malaysia stamps to the total number of Singapore and Thailand stamps was 2 : 3. There were 52 more Malaysia stamps than Thailand stamps. How many stamps did Bala have in all?

Ans: _____ [4]

13. Brendon had 110 more marbles than Andy. When Brendon gave 200 of his marbles to Andy, Andy had 6 times as many marbles as Brendon. How many marbles did Brendon have at first?

Ans: _____ [4]

Do not write
in this space

14. Jacqueline spent \$31.20 on some doughnuts. $\frac{1}{2}$ of the doughnuts she bought were plain ones. The remaining chocolate and durian flavoured doughnuts were in the ratio 1 : 2. The prices of the doughnuts were shown below.

Types of doughnut	Cost of each doughnut
Plain	\$1.00
Chocolate	\$1.20
Durian	\$1.80

How many chocolate flavoured doughnuts did Jacqueline buy?

Ans: _____ [4]



Do not write
in this space

15. Linda had a total of 800 red and blue beads in a box. After using $\frac{1}{3}$ of the red beads and $\frac{1}{7}$ of the blue beads in making some bracelets, there were as many red beads and blue beads left in the box.

- (a) How many beads were left in the box?
- (b) How many red beads did Linda have at first?

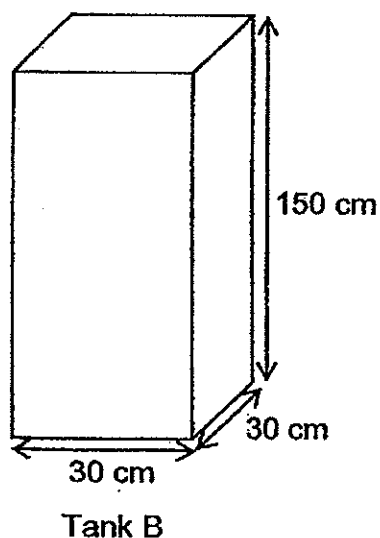
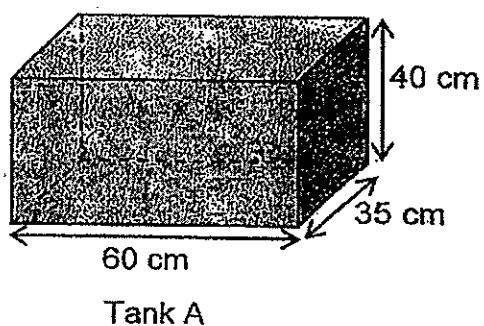
Ans: (a) _____ [3]

(b) _____ [2]

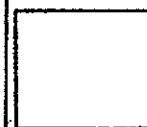


Do not write
in this space

16. Lynn had 2 tanks, A and B. Tank A was completely filled with water and Tank B was empty. She poured $\frac{5}{8}$ of the water from Tank A into Tank B. How much more water should Lynn add into Tank B from a tap so that the ratio of the volume of water left in Tank A to the volume of water in Tank B was 3 : 7? Give your answer in litres.

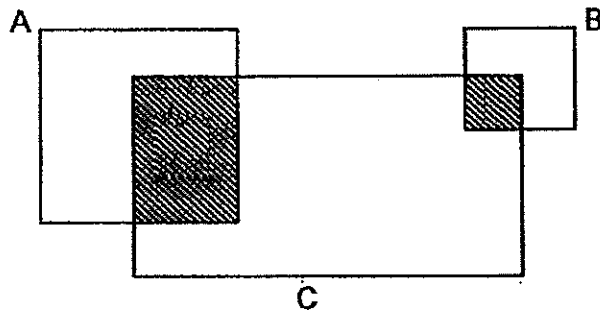


Ans: _____ [5]

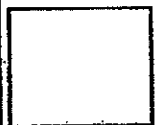


Do not write
in this space

17. The figure below, not drawn to scale, is made up of 2 squares A and B and a rectangle C. The ratio of the area of Square A to Square B to Rectangle C is 4 : 1 : 8 respectively. $\frac{3}{8}$ of square A and $\frac{1}{4}$ of square B are shaded. Given that the total area of the shaded parts is 112 cm^2 , find the total area of the unshaded parts of the figure.



Ans: _____ [5]



18. Evelyn, Fauziah and Gina collected a total of 536 stickers. The ratio of the number of Gina's stickers to Evelyn's stickers was 6 : 10. After Evelyn and Fauziah each gave away 50% of their stickers, Fauziah had 60 stickers more than Evelyn. How many stickers did Fauziah have at first?

Do not write
in this space

Ans: _____ [5]



End of Paper

**Nan Hua Primary School
Continual Assessment 2 (2014)
Primary 5**

- 1) 3
- 2) 3
- 3) 1
- 4) 3
- 5) 3
- 6) 3
- 7) 3
- 8) 4
- 9) 1
- 10) 4
- 11) 4
- 12) 3
- 13) 3
- 14) 2
- 15) 1
- 16) 6 690 005
- 17) 100
- 18) NE
- 19) 4/2/3
- 20) 6/35
- 21) 396
- 22) 28%
- 23) 175 g
- 24) 7/20 litres
- 25) 1/10 m
- 26) 144 sq m
- 27) 10 : 9
- 28) 1500 Malay books
- 29) 18 (pls note, by using highest common factor)
- 30) 36 sq cm

By comparison,

Triangle ABI = Triangle AHI & Triangle IFE = Triangle IDE

Hence, rectangle HIFG = rectangle BCDI

Paper 2

1a) 20

b) 0.02

2) $720/4 = 180$

$180*3 = 540$

3) 8 apples + 6 mangoes = \$20

4 apples = 2 mangoes

So, 8 apples = 4 mangoes

Hence 4 mangoes + 6 mangoes = \$20

10 mangoes = \$20

1 mango = $\$20/10 = \2

4) $180*2 = 360$

$360 - 60 - 65 = 235$ degree

5) $2 + 8 = 10$

$16 - 8 = 8$

$10/8 = 1.25$

$1.25*8 = 10$

$10 + 2 = 12$ litres

6) Assume all are pens

$\$2*28 = \56

$\$56 - \$36 = \$20$

$3*2 = 6$

$6 - 1 = 5$

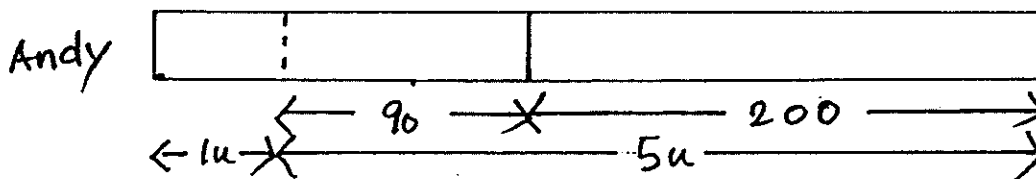
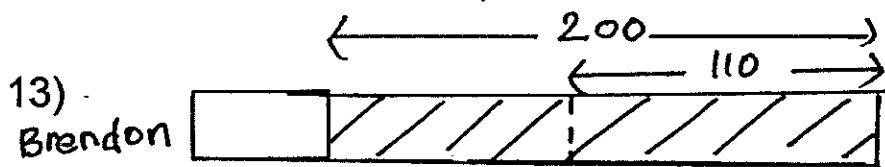
$20/5 = 4$

$4*3 = 12$



$90/3 = 30$

$30*7 = \$210$ at first



$$200 - 110 = 90$$

$$200 + 90 = 290$$

$$290 / 5 = 58$$

$$58 + 200 = 258 \text{ marbles}$$

14) C : D

1 : 2

Plain doughnuts = $1 + 2 = 3$ units

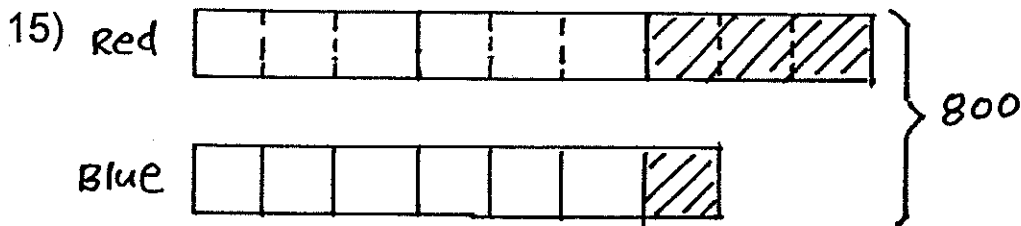
$$1 * 3 = 3$$

$$2 * 1.80 = 3.60$$

$$1 \text{ set of 3 plain, 1 chocolate \& 2 durian} = 3 + 1.20 + 3.60 = \$7.80$$

$$31.20 / 7.80 = 4 \text{ sets}$$

$$4 * 1 = 4 \text{ chocolate doughnuts}$$



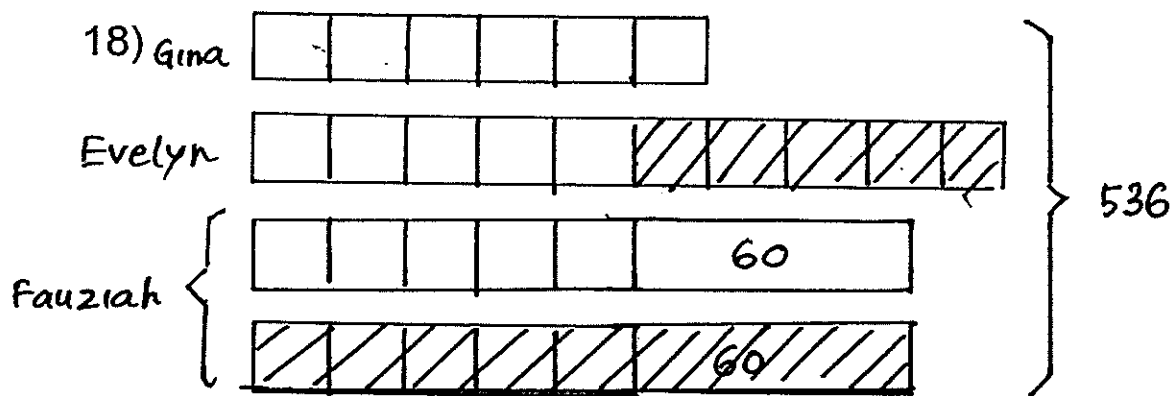
a) $800 / 16 = 50$

$$50 * 12 = 600$$

b) $9 * 50 = 450$

- 16) Volume of water in Tank A at first = $60 \times 35 \times 40 = 84000$ cubic cm
 = 84 litres
 Volume of water left in Tank A after the transfer = $\frac{3}{8} \times 84 = 31.5$ litres
 Volume of water transferred = $84 - 31.5 = 52.5$ litres
 3 units \rightarrow 31.5 litres
 1 unit \rightarrow $31.5/3 = 10.5$ litres
 7 units \rightarrow $10.5 \times 7 = 73.5$ litres
 Amount of water to be added = $73.5 - 52.5 = 21$ litres

- 17) A : B : C
 4 : 1 : 8
 = 16 : 4 : 32
 $\frac{3}{8} \times 16 = 6$ units (shaded A)
 $\frac{1}{4} \times 4 = 1$ unit (shaded B)
 7 units \rightarrow 112 sq cm
 1 units \rightarrow $112/7 = 16$ sq cm
 Unshaded C = $32u - 6u - 1u = 25u$
 Unshaded region = $(16 - 6) + (4 - 1) + 25 = 38u$
 $38 \times 16 = 608$ sq cm



$$60 \times 2 = 120$$

$$536 - 120 = 416$$

$$416/26 = 16$$

$$16 \times 10 = 160$$

$$160 + 120 = 280 \text{ stickers}$$