

# Anglo-Chinese School (Junior)



## CONTINUAL ASSESSMENT (2019)

### PRIMARY 5 MATHEMATICS

Friday

23 August 2019

1 h 30 min

Name: \_\_\_\_\_ ( ) Class: 5.( ) Parent's Signature: \_\_\_\_\_

#### INSTRUCTIONS TO PUPILS

- 1 Do not turn over the pages until you are told to do so.
- 2 Follow all instructions carefully.
- 3 Answer ALL questions.
- 4 You are **not** allowed to use a calculator for this paper.

| Section | Possible Marks | Marks Obtained |
|---------|----------------|----------------|
| A       | 10             |                |
| B       | 15             |                |
| C       | 25             |                |
| Total   | 50             |                |

---

This question paper consists of 15 printed pages (inclusive of cover page).

## Optical Answer Sheet

- 1  1  2  3  4  
2  1  2  3  4  
3  1  2  3  4  
4  1  2  3  4  
5  1  2  3  4  
6  1  2  3  4  
7  1  2  3  4

### Section A

Questions 1 to 4 carry 1 mark each. Questions 5 to 7 carry 2 marks each. For each question, four options are given. One of them is the correct answer. Make your choice (1, 2, 3 or 4). Shade the correct oval (1, 2, 3 or 4) on the Optical Answer Sheet (OAS) provided above.

marks)

(10

1. Find the missing number.

$$2.083 \times \underline{\hspace{2cm}} = 208.3$$

- 1) 0.1  
2) 10  
3) 100  
4) 1000

2. Which of the following division expressions represents the fraction  $\frac{7}{11}$  correctly?

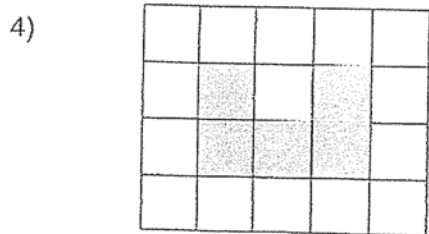
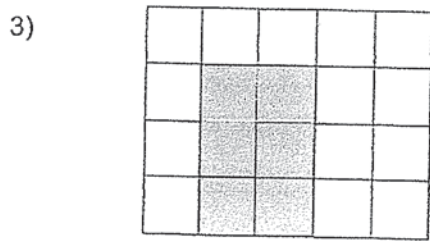
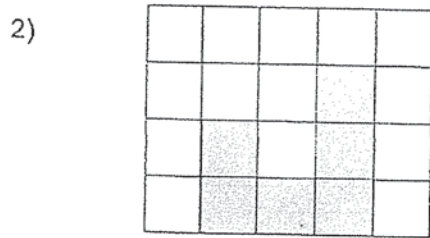
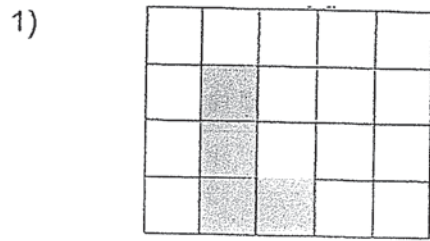
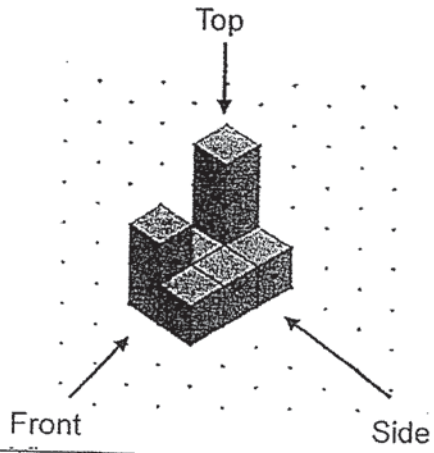
- 1)  $11 \div 7$   
2)  $7 \div 11$   
3)  $7 \div 4$   
4)  $4 \div 7$

2

Sub-Total :

3. The average mass of 8 durians is 1.52 kg. What is the total mass of all the 8 durians?
- 1) 0.19 kg
  - 2) 6.48 kg
  - 3) 12.16 kg
  - 4) 121.6 kg
4. Express 72% as a decimal.
- 1) 0.072
  - 2) 0.72
  - 3) 7.2
  - 4) 72
5. Mr Tan had 4 boxes of rulers. Each box contained 35 rulers. He bought another 20 rulers and packed all the rulers equally into 8 packets. Which one of the following expressions represents the number of rulers in each packet?
- 1)  $35 \times 4 + 20 \div 8$
  - 2)  $(35 \times 4) + 20 \div 8$
  - 3)  $(35 \times 4 + 20) \div 8$
  - 4)  $(35 \times 4) + (20 \div 8)$
6. Mrs Chee has 240 red, green and yellow buttons. The ratio of the number of red buttons to the number of green buttons to the number of yellow buttons is 2 : 5 : 3. How many more green buttons than yellow buttons are there?
- 1) 24
  - 2) 48
  - 3) 72
  - 4) 120

7. Which of the following is not a view of the solid?



**Section B**

Questions 8 to 12 carry 1 mark each. Questions 13 to 17 carry 2 marks each. Show your working clearly and write your answers in the spaces provided. For questions which require units, give your answers in the units stated. (15 marks)

---

8. Find the value of  $119 \div 7000$ . Give your answer as a decimal.

Ans : \_\_\_\_\_

9. Write six million, seven hundred and three thousand and twelve in figures.

Ans : \_\_\_\_\_

10. Divide 88 by 6. Give your answer as a mixed number in its simplest form.

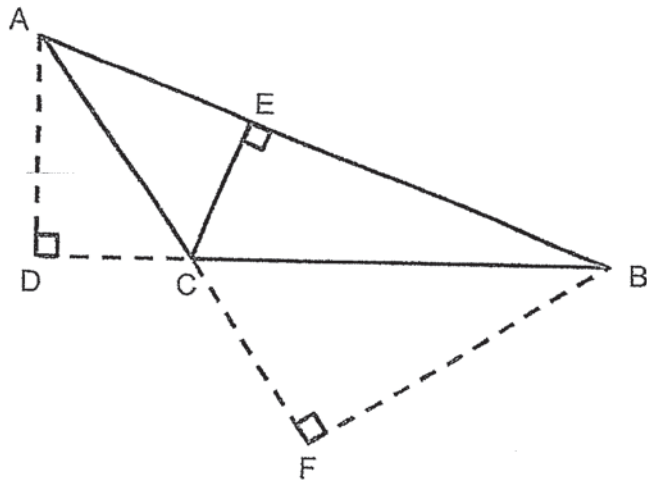
Ans : \_\_\_\_\_

0

5

Sub-Total :

11. James calculated the area of triangle ABC. He used BF as the height of the triangle in his calculation. Which line did he use as the base of the triangle in his calculation?

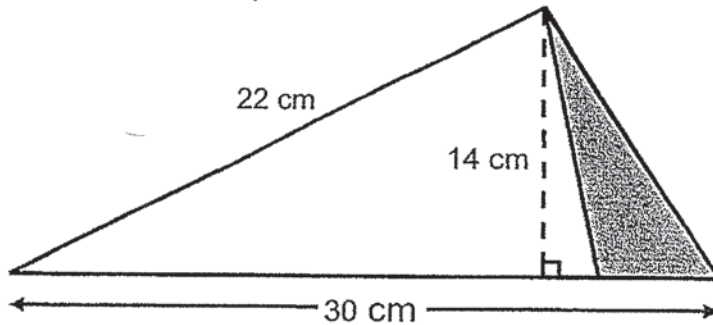


Ans : \_\_\_\_\_

12. Nick is able to type 600 words in 20 minutes. How many words can he type in 4 minutes?

Ans : \_\_\_\_\_

13. In the following figure, the shaded area is  $35 \text{ cm}^2$ . What is the area of the unshaded part?



Ans : \_\_\_\_\_  $\text{cm}^2$

14. The table below shows the marks scored by Kenny in 4 class tests. What is the average mark for his 3 best subjects?

| Subject       | Marks |
|---------------|-------|
| English       | 77    |
| Mother Tongue | 60    |
| Mathematics   | 85    |
| Science       | 63    |

Ans : \_\_\_\_\_

7

Sub-Total :

15. At an exhibition, 40% of the visitors were adults and the rest were children. 1722 children visited the exhibition. How many visitors were at the exhibition?

Ans : \_\_\_\_\_

16. The table below shows the charges of a taxi fare.

| Distance                              | Charges |
|---------------------------------------|---------|
| First km                              | \$3.30  |
| Every additional 1 km or part thereof | \$0.80  |

Mark took a taxi and travelled for a total of 13.5 km. How much did he have to pay?

Ans : \$ \_\_\_\_\_

8

Sub-Total :



17. A packet containing fewer than 30 sweets can be shared equally among 3 boys, 6 boys or 9 boys, with 2 sweets remaining. How many sweets are there in the packet?

Ans : \_\_\_\_\_

9

Sub-Total :

**Section C**

For questions 18 to 24, show your working clearly and write your answers in the spaces provided. The number of marks available is shown in brackets [ ] at the end of each question or part-question. (25 marks)

18. Aaron bought blue, yellow and green ribbon. The blue ribbon was 48 cm longer than the yellow ribbon. The length of the green ribbon was twice the length of the blue ribbon. The total length of the three ribbons was 12 m. Find the length of the yellow ribbon in metres.

Ans : \_\_\_\_\_ [3]

19. Orange juice was poured into Bottles A, B and C in the ratio 3 : 7 : 6. There was a total of 2781 ml of orange juice in Bottles A and C. Find the total amount of orange juice in all three bottles.

Ans : \_\_\_\_\_ [3]

10

Sub-Total :

20. Alan poured 4 cups of water into a square-based container of side 10 cm and height 24 cm. The container was only  $\frac{1}{4}$  filled. How much water did each cup contain?

Ans : \_\_\_\_\_ [3]

*0*

11

Sub-Total :

21. The usual price of a refrigerator is \$1875. During a sale, Mr Lim bought the refrigerator at a 20% discount.

(a) What was the discounted price of the refrigerator?

(b) Mr Lim had to pay 7% GST on the discounted price. How much was the GST?

Ans: (a) \_\_\_\_\_ [2]

(b) \_\_\_\_\_ [2]

0

12

Sub-Total :

22. Susan had a box containing 80 beads.  $\frac{1}{4}$  of them were blue. She put some more blue beads into the box. In the end,  $\frac{5}{6}$  of the beads in the box were blue beads. How many blue beads did she put into the box?

Ans: \_\_\_\_\_ [4]

13

Sub-Total :

23. At first, Mr Chia had an equal number of apples, oranges and pears. He sold 38 pears, some apples and oranges. In the end, the number of apples was twice the number of oranges and there were 15 fewer pears than apples. The number of fruits left was 90. How many oranges did he sell?

Ans : \_\_\_\_\_ [4]

0

14

Sub-Total :

24. Four identical rectangular strips are placed on top of one another to form a square figure (Figure 1). They are then rearranged together with a shaded square of area  $36 \text{ cm}^2$  to form Figure 2. Find the area of one rectangular strip.

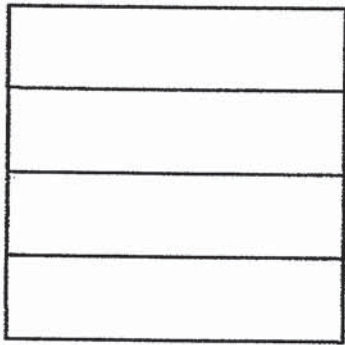


Figure 1

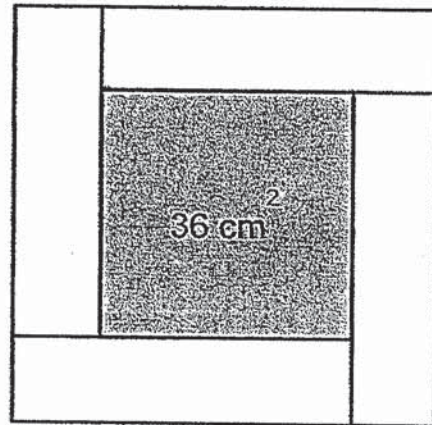


Figure 2

Ans: \_\_\_\_\_ [4]

End of Paper

15

Sub-Total :

# ANSWER KEY

**YEAR : 2019**  
**LEVEL : PRIMARY 5**  
**SCHOOL : Anglo Chinese SCHOOL**  
**SUBJECT : MATHEMATICS**  
**TERM : CONTINUAL ASSESSMENT (2019)**

## SECTION A

Q1) 3

Q2) 2

Q3) 3

Q4) 2

Q5) 3

Q6) 2

Q7) 4

Q8) 0.017

Q9) 6703012

Q10)  $15\frac{2}{3}$

Q11) LINE AC/CA

Q12) 12 ls

Q13) 17

Q14) 75 marks

Q15) 2870 visitors

Q16) \$13.70

Q17) 20 sweets

Q18) 2.64m

Q19) 4944ml

Q20) 150ml



Q21) (a) \$1500

(b) \$105

Q22) 280 blue beads

Q23) 44 oranges

Q24)  $100 - n^2$

1011

2  
END