

Anglo-Chinese School (Junior)



SEMESTRAL ASSESSMENT 2 (2019)

PRIMARY 5

MATHEMATICS

PAPER 1

Booklet A

Friday

25 Oct 2019

1 h

Name: _____ () Class: 5.()

INSTRUCTIONS TO PUPILS

- 1 Do not turn over the pages until you are told to do so.
- 2 Follow all instructions carefully.
- 3 Answer ALL questions.
- 4 Shade your answers in the Optical Answer Sheet (OAS) provided.
- 5 You are **not** allowed to use a calculator for this paper.

This question paper consists of 7 printed pages (inclusive of cover page).

8

Questions 1 to 10 carry 1 mark each. Questions 11 to 15 carry 2 marks each. For each question, four options are given. One of them is the correct answer. Make your choice (1, 2, 3 or 4) and shade your answer (1, 2, 3 or 4) on the Optical Answer Sheet (OAS). (20 marks)

1. Find the value of $1290 - 210 \div 10 + 20$.

- 1) 36
- 2) 128
- 3) 1283
- 4) 1289

2. The total number of spectators who viewed the matches live at the World Cup in Russia last year was 5 031 768. Which digit is in the ten thousands place?

- 1) 1
- 2) 3
- 3) 6
- 4) 7

3. Round 79.584 to the nearest hundredth.

- 1) 79.50
- 2) 79.58
- 3) 79.59
- 4) 79.60

4. $0.48 \times 600 = 3 \times 100 \times \boxed{}$
What is the missing number in the box?

- 1) 0.60
- 2) 0.96
- 3) 1.44
- 4) 2.88

5. What is the value of 6 thousands, 89 tens and 9 hundredths?

- 1) 6000.89
- 2) 6800.09
- 3) 6890.09
- 4) 6900.89

6. Express 8050 g in kilograms.

- 1) 0.805 kg
- 2) 8.05 kg
- 3) 8.5 kg
- 4) 80.5 kg

7. How many sixths are there in $4\frac{2}{3}$?

- 1) 9
- 2) 14
- 3) 24
- 4) 28

8. Which of the following is not the same as $\frac{6}{100}$?

- 1) 0.06
- 2) $\frac{3}{50}$
- 3) $\frac{6}{10}$ %
- 4) 6 %

9. Which of the following fractions is closest to $\frac{1}{2}$?

- 1) $\frac{5}{6}$
- 2) $\frac{5}{7}$
- 3) $\frac{5}{9}$
- 4) $\frac{5}{11}$

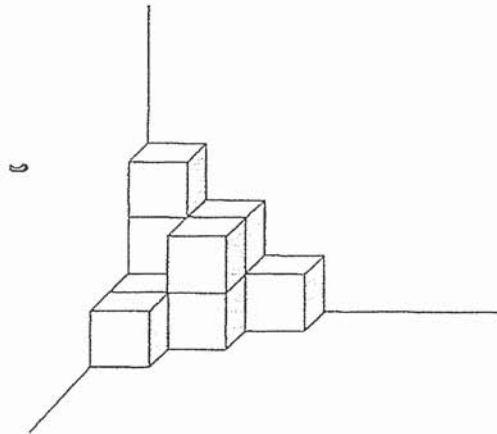
10. The table below shows the number of books sold in 4 different bookstores in a week. What is the average number of books sold in the 4 bookstores?

Bookstore	A	B	C	D
Number of books sold	120	92	100	108

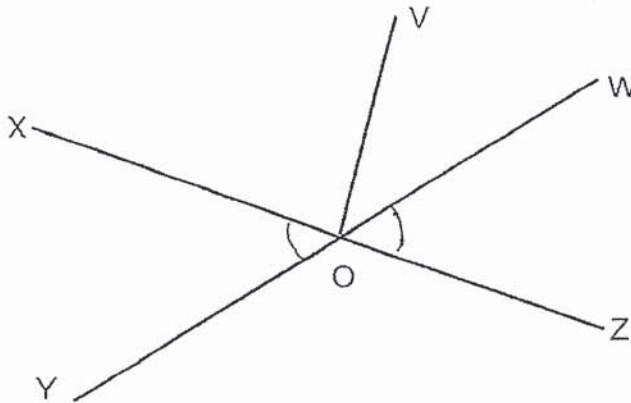
- 1) 100
2) 105
3) 140
4) 210
11. Mrs Li bought $\frac{4}{5}$ kg of chocolate. She used $\frac{1}{3}$ of it to make milkshakes. How much chocolate had Mrs Li left?

- 1) $\frac{2}{15}$ kg
2) $\frac{4}{15}$ kg
3) $\frac{7}{15}$ kg
4) $\frac{8}{15}$ kg

12. The figure shows a solid that is formed using 1-cm cubes. What is the volume of the solid?



- 1) 8 cm^3
 - 2) 9 cm^3
 - 3) 10 cm^3
 - 4) 11 cm^3
13. In the figure, YOW, XOZ and VO are straight lines. Which of the following statements is true?



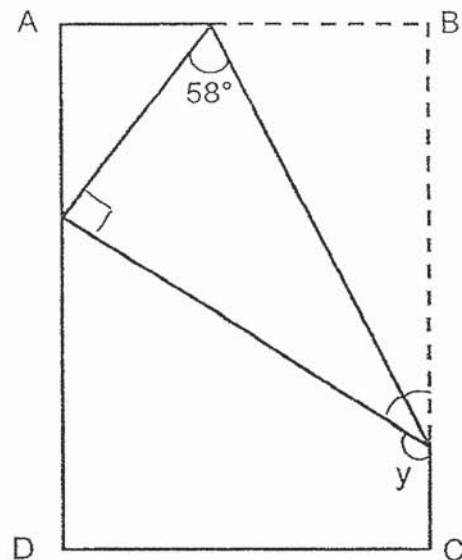
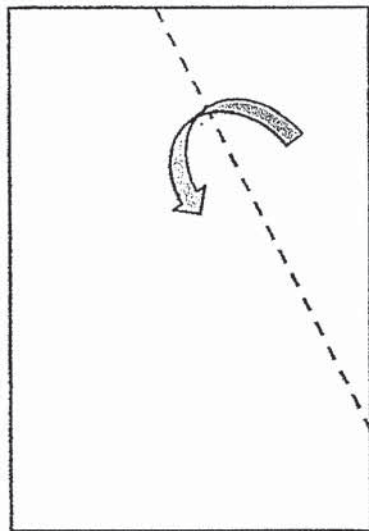
- 1) $\angle XOY = \angle VOZ$
- 2) $\angle XOY = \angle WOZ$
- 3) $\angle YOZ = \angle YOV$
- 4) $\angle VOW = \angle WOZ$

14. A Go-Kart company charges the following rates for karting.

The first 15 minutes	\$30
For every additional 5 minutes	\$8

Samuel wanted to kart for 35 minutes. How much did he need to pay?

- 1) \$38
 - 2) \$46
 - 3) \$62
 - 4) \$86
15. Shane had a piece of rectangular paper and folded it along the dotted line as shown below. Find $\angle y$.



- 1) 116°
- 2) 122°
- 3) 128°
- 4) 148°

End of Booklet A

Anglo-Chinese School (Junior)



SEMESTRAL ASSESSMENT 2 (2019)

PRIMARY 5

MATHEMATICS

PAPER 1

Booklet B

Friday

25 Oct 2019

1 h

Name: _____ ()

Class: 5.()

INSTRUCTIONS TO PUPILS

- 1 Do not turn over the pages until you are told to do so.
- 2 Follow all instructions carefully.
- 3 Answer ALL questions.
- 4 You are not allowed to use a calculator for this paper.

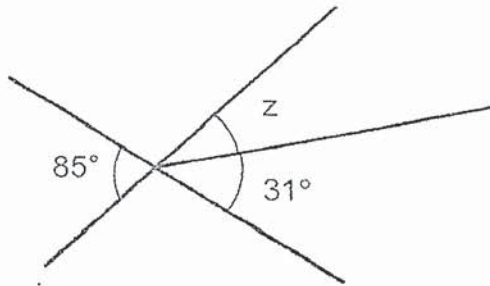
This question paper consists of 9 printed pages (inclusive of cover page).

Questions 16 to 20 carry 1 mark each. Write your answers in the spaces provided. For questions which require units, give your answers to the units stated. (5 marks)

16. Write three million, twenty thousand and nineteen in numerals.

Ans : _____

17. All the lines drawn in the diagram are straight lines. Find $\angle z$.



Ans : _____ $^\circ$

18. 9 pizzas were shared equally among 7 children. What fraction of a pizza does each child get? Express your answer as a mixed number.

Ans : _____

B2

Sub-Total :

19. Ryan went hiking at a park. The hike started at 6.30 a.m. and ended at 3.15 p.m. on the same day. How long was the hike? Give your answer in hours and minutes.

Ans : _____ h _____ min

20. What is the missing number in the box below?

Ans : _____

B3

Sub-Total :

Questions 21 to 30 carry 2 marks each. Show your working clearly and write your answers in the spaces provided. For questions which require units, give your answers in the units stated. (20 marks)

21. Find the value of $6 \div 7$. Give your answer correct to 2 decimal places.

Ans : _____

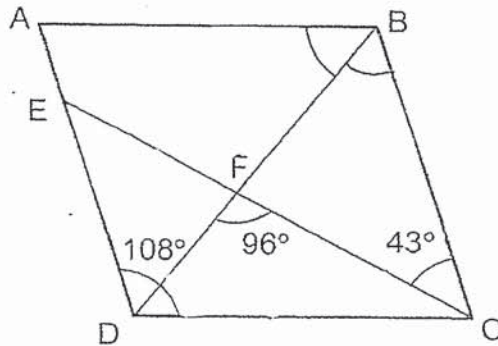
22. The mass of a box with 30 identical marbles is 560 g. When 20 of the marbles are removed, the mass of the box with the remaining marbles is 320 g. What is the mass of the box?

Ans : _____ g

B4

Sub-Total :

23. In the figure, ABCD is a parallelogram. BFD and CFE are straight lines. $\angle EDC = 108^\circ$, $\angle DFC = 96^\circ$ and $\angle BCF = 43^\circ$. Find $\angle ABD$.



Ans : _____°

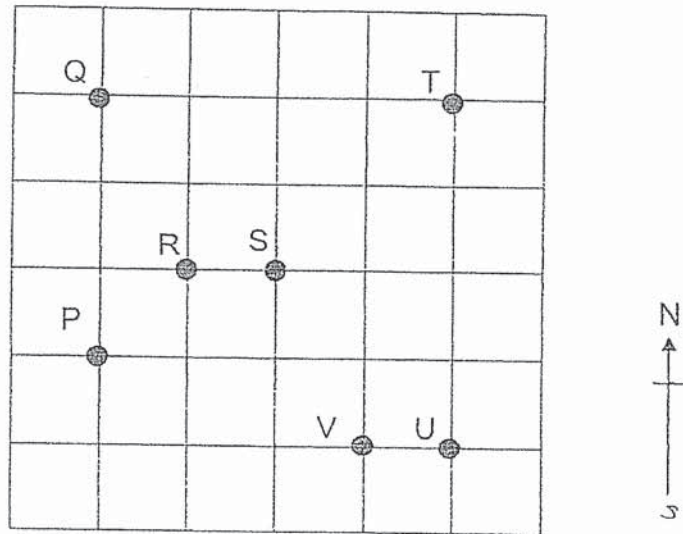
24. It takes Machine A and Machine B 30 minutes to print a total of 1320 copies of newsletter. Machine A can print 20 copies of newsletter in one minute. How many copies of newsletter can Machine B print per minute?

Ans : _____

B5

Sub-Total :

25. Seven points are shown in the square grid below.



(a) In which direction is V from R?

(b) Amos is at one of the point. He is facing Point T. When he turns 90° anti-clockwise, he faces Q. Which point is Amos at?

Ans : (a) _____

(b) _____

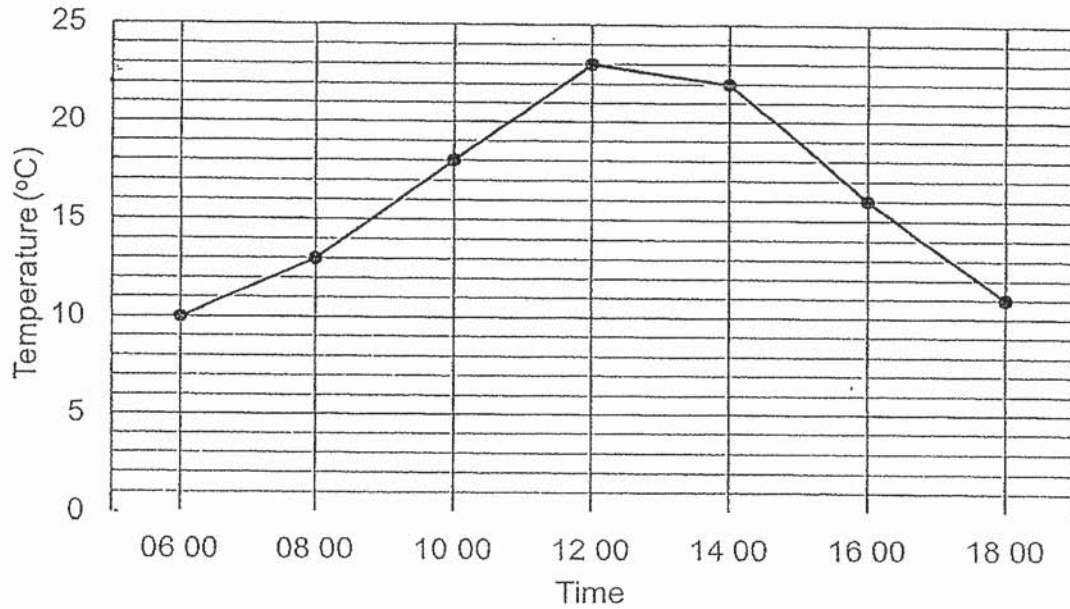
26. The price of a video game is \$56. Josiah bought a video game at a discount of 30%. What was the discounted price of the video game?

Ans : \$ _____

B6

Sub-Total :

The table below shows the temperature change in Hillview Town.



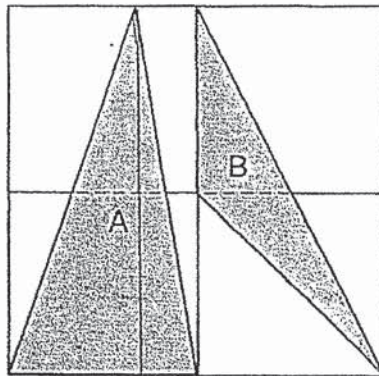
27. At which 2 hour-interval of the day was there the greatest change in temperature?

Ans : _____ to _____

28. Samantha had 2.6 m of red ribbon and 4.8 m of blue ribbon. She used 1.5 m of the red ribbon and some of the blue ribbon to tie some presents. The length of blue ribbon left was 3 times the length of red ribbon left. What was the length of blue ribbon she used to tie the presents? Give your answer in centimetres.

Ans : _____ cm

29. The figure below is made up of 4 identical squares. 2 shaded triangles, A and B are drawn in the figure.



What fraction of the figure is shaded?

Ans : _____

B8

Sub-Total :

30. A group of boys shared some sweets among themselves. When each boy took 6 sweets each, there were 24 sweets left over. When each boy took 8 sweets, there was no remainder. How many sweets were there altogether?

Ans : _____

End of Booklet B

B9

Sub-Total :

Anglo-Chinese School (Junior)



SEMESTRAL ASSESSMENT 2 (2019)

PRIMARY 5

MATHEMATICS

PAPER 2

Friday

25 Oct 2019

1 h 30 min

Name: _____ () Class: 5.() Parent's Signature: _____

INSTRUCTIONS TO PUPILS

- 1 Do not turn over the pages until you are told to do so.
- 2 Follow all instructions carefully.
- 3 Answer ALL questions.
- 4 You can use a calculator for this paper.

Paper	Booklet	Possible Marks	Marks Obtained
1	A	20	
	B	25	
2		55	
Total		100	

This question paper consists of 15 printed pages (inclusive of cover page).

Questions 1 to 5 carry 2 marks each. Show your working clearly and write your answers in the spaces provided. For questions which require units, give your answers in the units stated. (10 marks)

1. Mr Lim buys 218 red pens and 138 blue pens. He needs to pack all the pens into smaller packets. Each packet can hold up to 6 pens. What is the minimum number of packets he needs if he has to pack all the pens?

Ans : _____

2. Isaac was paid \$2 for every food delivery made and an additional \$4 for every 5 food deliveries made. How many food deliveries did he make if he was paid a total of \$56?

Ans : _____

2

Sub-Total :

3. 4 girls shared the cost of a present equally. When calculating the amount each girl had to pay, a mistake was made. The cost of the present was divided by 5 instead of 4. Each girl ended up paying \$3.70 less than the correct amount. What should be the correct amount for each share?

Ans : \$ _____

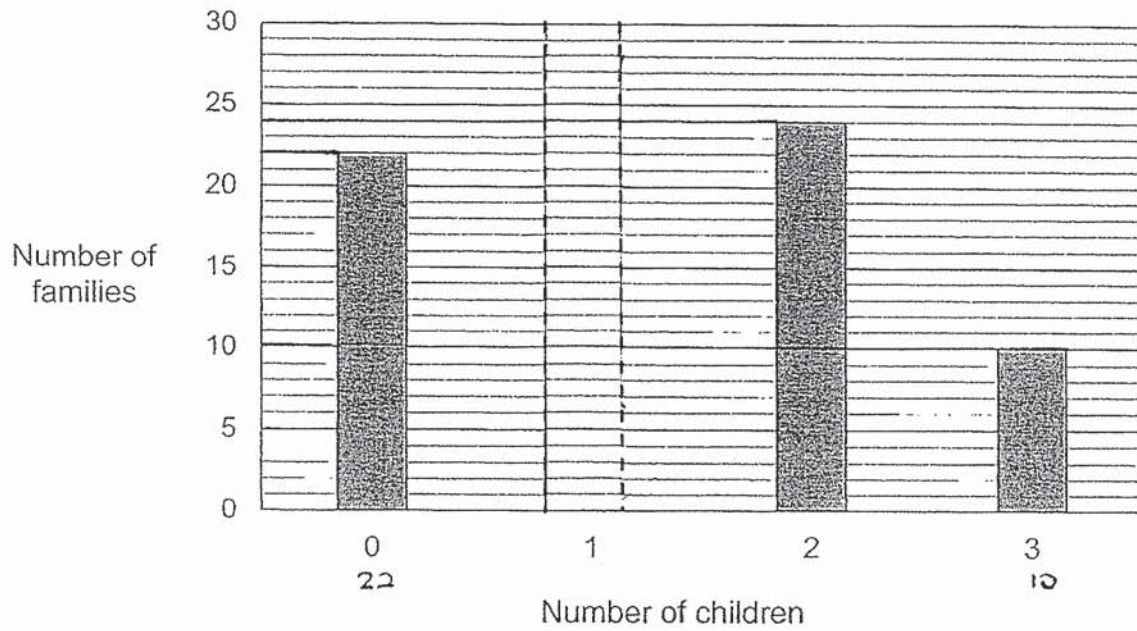
4. James has a number of red, blue and yellow cards. $\frac{3}{8}$ of the cards are red. The number of blue cards is twice the number of yellow cards. What fraction of James' cards are blue? Express your answer in the simplest form.

Ans : _____

3

Sub-Total :

5. The bar graph below shows the number of children in the families living in a block of flats. $\frac{1}{3}$ of the families have 1 child. Draw and shade a bar in the graph to show the number of families with 1 child.



For questions 6 to 17, show your working clearly and write your answers in the spaces provided. The number of marks available is shown in brackets [] at the end of each question or part-question. (45 marks)

6. At first, Henry had \$70 and Ivan had \$42. Each bought a bag at the same price. The amounts of money Henry and Ivan had left were in the ratio of 5 : 1. How much money had Ivan left?

Ans : _____ [3]

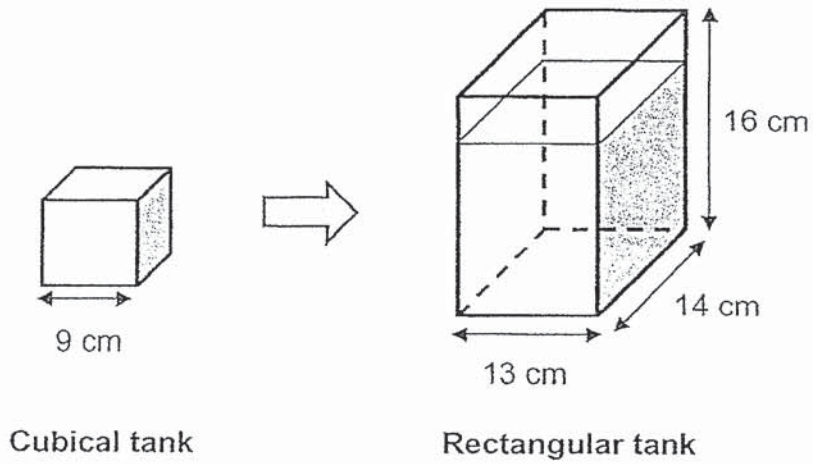
7. A group of 20 boys and 30 girls took part in a Mathematics competition. The average score of the boys was 89 points while the average score of the girls was 84 points. What was the average score of all the children who participated in the competition?

Ans : _____ [3]

5

Sub-Total :

8. A rectangular tank measuring 13 cm by 14 cm by 16 cm is filled with some water. Sam then poured all the water from a fully-filled cubical tank of side 9 cm into the rectangular tank until it is $\frac{3}{4}$ filled. Find the amount of water in the rectangular tank at first. Give your answer in litres.



Ans : _____ [3]

9. At a bakery, Jenny paid \$21.30 for a chocolate cake and 5 muffins. Kathy paid \$37.40 for a chocolate cake and 12 muffins. Lucian bought 4 chocolate cakes. How much did he pay?

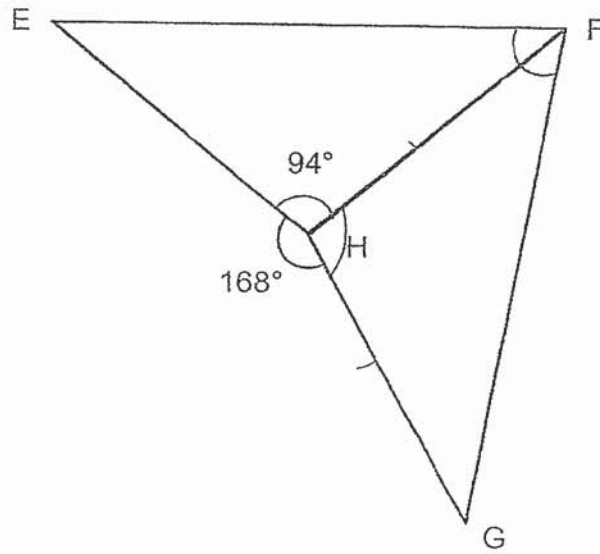
2

Ans : _____ [4]

7

Sub-Total :

10. In the figure below, $\triangle EFH$ and $\triangle HFG$ are isosceles triangles. $EH = HF = HG$. $\angle EHF = 94^\circ$ and $\angle EHG = 168^\circ$. Find $\angle EFG$.



Ans : _____ [3]

8

Sub-Total :

11. There were 180 children in a hall. 30% of them were boys and the rest were girls.

a) How many more girls than boys were there?

b) During the break, some girls came to join the children in the hall. There were then 3 times as many girls as boys. How many girls came to join the children in the hall?

Ans : (a) _____ [1]

(b) _____ [3]

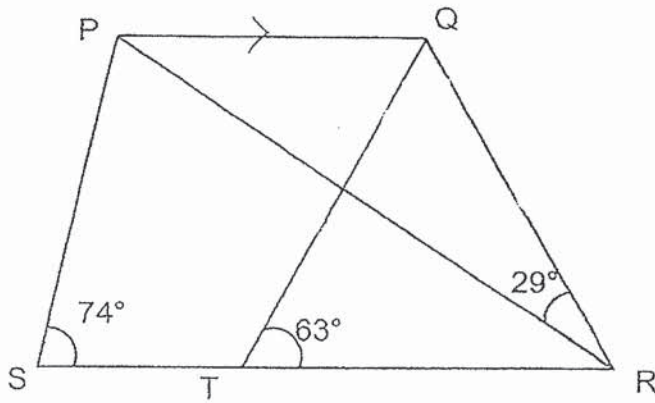
9

Sub-Total :

12. In the figure below, PQRS is a trapezium and QRT is an isosceles triangle. PQ is parallel to SR and $QT = QR$. $\angle QTR = 63^\circ$, $\angle QRP = 29^\circ$ and $\angle PST = 74^\circ$.

(a) Find $\angle TQR$.

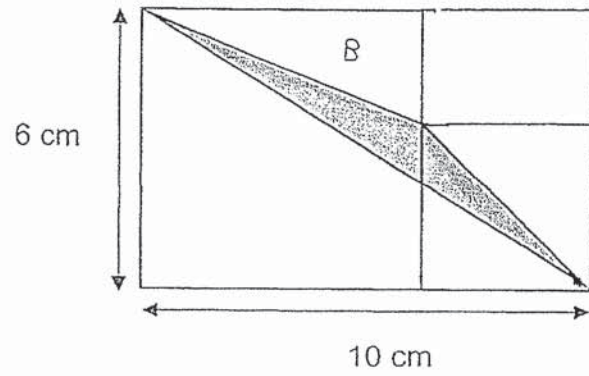
(b) Find $\angle SPR$.



Ans : (a) _____ [2]

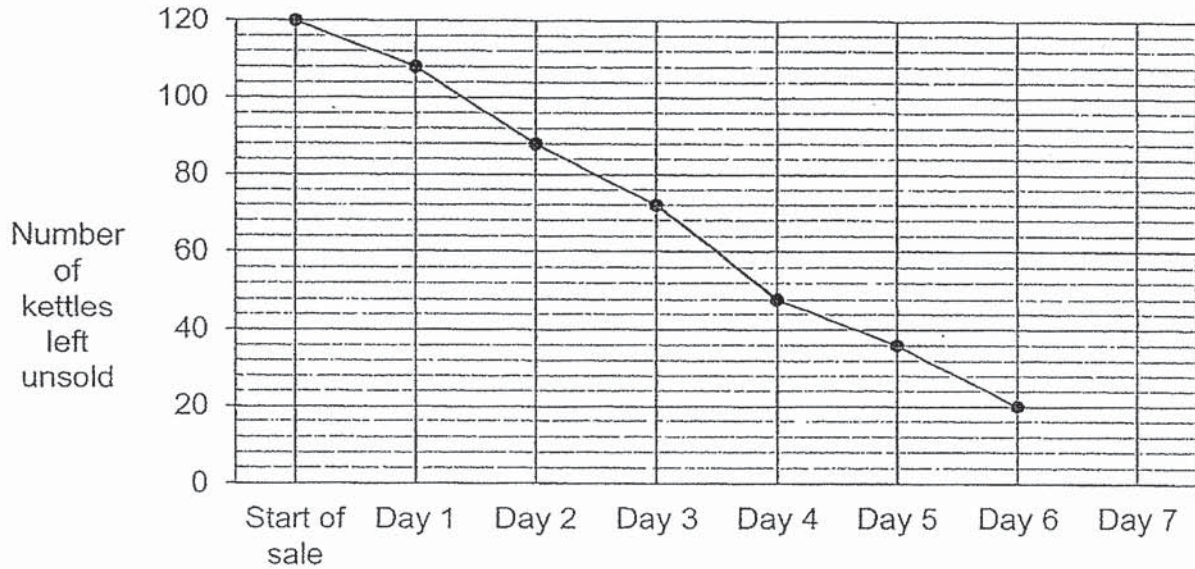
(b) _____ [2]

13. The figure below is made up of a large square and a small square. Find the shaded area.



Ans : _____ [4]

14. A departmental store had 120 kettles for sale during a 7-day period. The line graph shows the number of kettles left unsold at the end of each day. The number of kettles left unsold at the end of Day 7 was not shown.



- (a) On which day (from Day 1 to Day 6), was the greatest number of kettles sold?
- (b) The average number of kettles sold for the last three days was 14. How many kettles were sold on Day 7?

Ans : (a) Day _____ [1]

(b) _____ [3]

12

Sub-Total :

15. Jerell bought 3200 Christmas ornaments. He gave $\frac{2}{5}$ of the ornaments to his friends and used $\frac{5}{6}$ of the remaining ornaments to decorate 60 large and small Christmas trees.
- (a) What fraction of the ornaments did Jerell use to decorate the Christmas trees?
- (b) Jerell used 40 ornaments on each large Christmas tree and 15 ornaments on each small Christmas tree. How many large Christmas trees were there?

Ans : (a) _____ [1]

(b) _____ [4]

16. Tom had an equal number of blue and red toy cars. He put all the blue toy cars equally into 3 boxes and all the red toy cars equally into 6 bags. There were a total of 18 toy cars in 1 box and 1 bag. How many blue and red toy cars did Tom have altogether?

Ans : _____ [3]

14

Sub-Total :

17. Kim had 852 beads. She put all the beads into 6 large containers and 9 small containers. Each large container can hold 12 more beads than each small container. Find the difference between the number of beads in the 6 large containers and the number of beads in the 9 small containers.

Ans: _____ [5]

End of Paper 2

15

Sub-Total :

9

ANSWER KEY

YEAR : 2019
 LEVEL : PRIMARY 5
 SCHOOL : ANGLO CHINESE GIRLS' (JUNIOR)
 SUBJECT : MATHEMATICS
 TERM : SA2

SECTION A

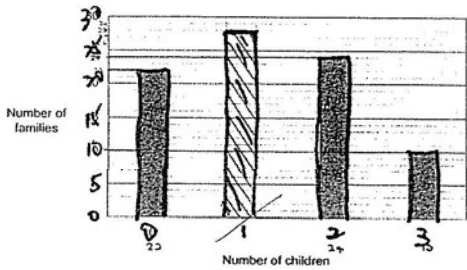
Q1	Q2	Q3	Q4	Q5	Q6	Q7	Q8
4	2	2	2	3	2	4	3
Q9	Q10	Q11	Q12	Q13	Q14	Q15	
4	2	4	3	2	3	1	

SECTION B

Q16	3 020 019				
Q17	$\angle z = 85 - 31 = 54^\circ$				
Q18	$9 \div 7 = \frac{9}{7} = 1\frac{2}{7}$ pizza				
Q19	<table style="width: 100%; border-collapse: collapse; margin-bottom: 5px;"> <tr> <td style="border: 1px solid black; padding: 2px;">30min</td> <td style="border: 1px solid black; padding: 2px;">5 hours</td> <td style="border: 1px solid black; padding: 2px;">3hours</td> <td style="border: 1px solid black; padding: 2px;">15 min</td> </tr> </table> <p style="margin-left: 40px;">6.30am 7.00am 12.00pm 3.00pm 3.15pm</p> <p>Answer: 8 h 45 min</p>	30min	5 hours	3hours	15 min
30min	5 hours	3hours	15 min		
Q20	45				
Q21	$6 \div 7 = 0.857142... \approx 0.86$				
Q22	<p>20 marbles $\rightarrow 560 - 320 = 240g$ 1 marbles $\rightarrow 240 \div 20 = 12g$ 10 marbles $\rightarrow 12 \times 10 = 120g$ 1box $\rightarrow 320g - 120g = 200g$</p>				
Q23	<p>$\angle BCE = \angle CED = 43^\circ$ $\angle DCE = 180 - 43 - 108 = 29^\circ$ $\angle BDC = 180 - 96 - 29 = 55^\circ$ $\angle BDC = \angle ABD = 55^\circ$</p>				
Q24	<p>30 min for Machine A $\rightarrow 30 \times 20 = 600$ copies 30 min for Machine B $\rightarrow 1320 - 600 = 720$ copies 1 mi Machine B $\rightarrow 720 \div 30 = 24$ copies</p>				
Q25	<p>(a) Point 7 (b) Point 5</p>				
Q26	$\$56 \times \frac{7}{10} = \39.20				
Q27	1400 to 1600				
Q28	<p>R : B $\rightarrow 1 : 3$ $1u \rightarrow 2.6m - 1.5m = 1.1m$ $3u \rightarrow 3.3m$ Total blue ribbon used $\rightarrow 4.8m - 3.3m = 1.5m$ Answer $\rightarrow 150cm$</p>				

Q29	Shaded triangle A $\rightarrow \frac{1}{4}$ Shaded triangle B $\rightarrow \frac{1}{8}$ Answer $\rightarrow \frac{3}{8}$
Q30	Diff $\rightarrow 8 - 6 = 2$ $1u \rightarrow 24 \div 2 = 12$ $8u \rightarrow 12 \times 8 = 96$ sweets

SECTION C

Q1	Total pens $\rightarrow 218 + 138 = 356$ No of packet $\rightarrow 356 \div 6 = 59 \text{ R } 2$ Answer : 60 packets										
Q2	1 set $\rightarrow \$2 \times 5 + 4 = \14 How many sets $\rightarrow \$56 \div \$14 = 4$ 4 sets $\rightarrow 4 \times 5 = 20$ (1set = 5 times deliveries)										
Q3	$\$3.70 \times 4 = \14.80 $\$14.80 \times 5 = \74 (price of present) $\$74 \div 4 = \18.50										
Q4	R : B : Y = 9 : 10 : 5 Answer $\rightarrow \frac{5}{12}$										
Q5	$2u \rightarrow 22 + 24 + 10 = 56$ $1u \rightarrow 56 \div 2 = 28$  <table border="1"> <caption>Data from Bar Chart</caption> <thead> <tr> <th>Number of children</th> <th>Number of families</th> </tr> </thead> <tbody> <tr> <td>0</td> <td>22</td> </tr> <tr> <td>1</td> <td>28</td> </tr> <tr> <td>2</td> <td>24</td> </tr> <tr> <td>3</td> <td>10</td> </tr> </tbody> </table>	Number of children	Number of families	0	22	1	28	2	24	3	10
Number of children	Number of families										
0	22										
1	28										
2	24										
3	10										
Q6	H : I $\rightarrow 5 : 1$ $4u \rightarrow \$70 - \$42 = \$28$ $1u \rightarrow - 4 = \$7$ Ans $\rightarrow \$7$										
Q7	Total boys score $\rightarrow 20 \times 89 = 1780$ Total girls score $\rightarrow 30 \times 84 = 2520$ Total children score $\rightarrow 1780 + 2520 = 4300$ Average score $\rightarrow 4300 \div 50 = 86$										
Q8	Volume in the end $\rightarrow \frac{3}{4} \times 13 \times 14 \times 16$ $= 2184\text{cm}^3$ Volume for cube $\rightarrow 9 \times 9 \times 9$ $= 729\text{cm}^3$ Water in tank $\rightarrow 2184 - 729 = 1455\text{cm}^3 \approx 1.455\text{l}$										

Q9	<p>7 muffins \rightarrow $\\$37.40 - \\$21.30 = \\$16.10$ 5 muffins \rightarrow $\\$16.10 \div 7 \times 5 = \\11.50 1 cake \rightarrow $\\$21.30 - \\$11.50 = \\$9.80$ 4 cakes \rightarrow $\\$9.80 \times 4 = \\39.20</p>																											
Q10	<p>$\angle FHG = 360 - 94 - 168 = 98$ $\angle GFH = FGH = (180 - 98) \div 2 = 41$ $\angle EFH = FEH = (180 - 94) \div 2 = 43$ $\angle EFG = 41 + 43 = 84^\circ$</p>																											
Q11	<p>$B : G : T \rightarrow 3 : 7 : 10$ $1u \rightarrow 180 \div 10 = 18$ $7u - 3u = 4u \rightarrow 18 \times 4 = 72$ Ans(a) $\rightarrow 72$ $3u \times 3 = 9u$ $9u - 7u = 2u \rightarrow 18 \times 2 = 36$ Ans(b) $\rightarrow 36$</p>																											
Q12	<p>a) $\angle TQR = 180 - 63 - 63 = 54^\circ$ b) $\angle STQ = 180 - 63 = 117^\circ$ $\angle POT = \angle QOR = 180 - 29 - 54 = 97^\circ$ $\angle SPR = 360 - 74 - 117 - 97 = 72^\circ$</p>																											
Q13	<p>Length of small square $\rightarrow 10 - 6 = 4\text{cm}$ Area of triangle a $\rightarrow \frac{1}{2} \times 10 \times 6 = 30\text{cm}^2$ Area of triangle b $\rightarrow \frac{1}{2} \times 2 \times 6 = 6\text{cm}^2$ Area of triangle C $\rightarrow \frac{1}{2} \times 4 \times 4 = 8\text{cm}^2$ Total area of unshaded $\rightarrow 30 + 6 + 8 = 44 \text{ cm}^2$ Total area of figure $\rightarrow (6 \times 6) + (4 \times 4) = 52 \text{ cm}^2$ Shaded area $\rightarrow 52 - 44 = 8\text{cm}^2$</p>																											
Q14	<table border="1" style="width: 100%; border-collapse: collapse; text-align: center;"> <thead> <tr> <th>Days</th> <th>0</th> <th>1</th> <th>2</th> <th>3</th> <th>4</th> <th>5</th> <th>6</th> <th>7</th> </tr> </thead> <tbody> <tr> <td>No of kettles</td> <td>120</td> <td>108</td> <td>88</td> <td>72</td> <td>48</td> <td>36</td> <td>20</td> <td>6</td> </tr> <tr> <td>Solds</td> <td></td> <td>12</td> <td>20</td> <td>16</td> <td>24</td> <td>12</td> <td>16</td> <td>14</td> </tr> </tbody> </table> <p>Ans(a) \rightarrow days 4 Total sold in last three days $\rightarrow 14 \times 3 = 42$ Tot: in day 7 $\rightarrow 42 - 12 - 16 = 14$ Ans: 14 kettles</p>	Days	0	1	2	3	4	5	6	7	No of kettles	120	108	88	72	48	36	20	6	Solds		12	20	16	24	12	16	14
Days	0	1	2	3	4	5	6	7																				
No of kettles	120	108	88	72	48	36	20	6																				
Solds		12	20	16	24	12	16	14																				
Q15	<p>(a) $\frac{3}{5} \times \frac{5}{6} = \frac{1}{2}$ (b) $\frac{1}{2} \times 3200 = 1600$ 60 small $\rightarrow 40 \times 15 = 900$ $2400 - 900 = 700$ $40 - 15 = 25$ $700 \div 25 = 28$ large Christmas trees</p>																											
Q16	<p>$B : R \rightarrow 6 : 6$ 1 box and 1 bag $\rightarrow B : R = 2 : 1$ $3u \rightarrow 18$ $1u \rightarrow 18 \div 3 = 6$ $12u \rightarrow 6 \times 12 = 72$ cars</p>																											

Q17 6 more large $\rightarrow 12 \times 6 = 72$
15u $\rightarrow 852 - 72 = 780$
1u $\rightarrow 780 \div 15 = 52$
6 large $\rightarrow 52 \times 6 + 72 = 384$
9 small $\rightarrow 52 \times 9 = 468$
Ans $\rightarrow 468 - 384 = 84$

4
2/10