



# RED SWASTIKA SCHOOL

## 2019 SEMESTRAL ASSESSMENT 2

### MATHEMATICS PAPER 1

Name : \_\_\_\_\_ (      )

Class : Primary 5 / \_\_\_\_\_

Date : 25 Oct 2019

### BOOKLET A

15 Questions

20 Marks

Duration of Paper 1 (Booklets A & B): 1 hour

Note:

1. Do not open this Booklet until you are told to do so.
2. Read carefully the instructions given at the beginning of each part of the Booklet.
3. Do not waste time. If a question is difficult for you, go on to the next one.
4. Check your answers thoroughly and make sure you attempt every question.
5. In this booklet, you should have the following:
  - (a) Page 1 to Page 6
  - (b) Questions 1 to 15
6. You are not allowed to use a calculator.



Questions 1 to 10 carry 1 mark each. Questions 11 to 15 carry 2 marks each.  
For each question, four options are given. One of them is the correct answer.  
Make your choice (1, 2, 3 or 4). Shade the correct oval (1, 2, 3 or 4) on the  
Optical Answer Sheet. (20 marks)

---

1 There were 313 098 tourists to Sentosa last month. Express this number to the nearest ten thousand.

- (1) 300 000
- (2) 310 000
- (3) 313 000
- (4) 314 000

2 Which of the following is equal to  $4\frac{3}{8}$ ?

- (1)  $\frac{12}{8}$
- (2)  $\frac{15}{8}$
- (3)  $\frac{20}{8}$
- (4)  $\frac{35}{8}$

3 Find the value of  $45 \div 100$ .

- (1) 4.5
- (2) 0.45
- (3) 0.045
- (4) 450

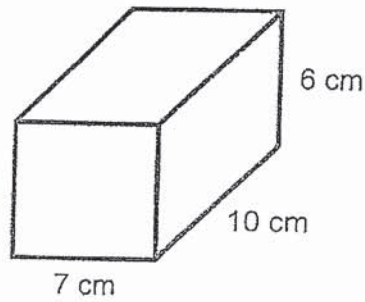
4 What is 23.03 kg in kilograms and grams?

- (1) 2 kg 303 g
- (2) 23 kg 3 g
- (3) 23 kg 30 g
- (4) 23 kg 300 g

5 The sum of two numbers is 48.6. One of the numbers is 9 times the other. What is the smaller number?

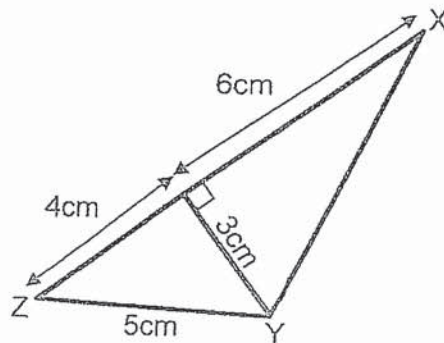
- (1) 5.4
- (2) 4.86
- (3) 6.075
- (4) 437.4

6 What is the volume of the cuboid?



- (1)  $102 \text{ cm}^3$
- (2)  $112 \text{ cm}^3$
- (3)  $324 \text{ cm}^3$
- (4)  $420 \text{ cm}^3$

7 What is the area of the triangle XYZ as shown in the figure below?



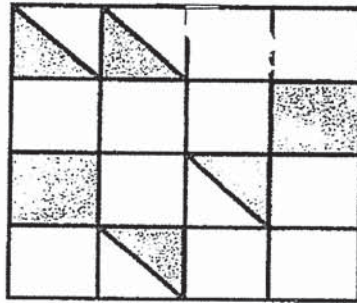
- (1)  $15 \text{ cm}^2$
- (2)  $25 \text{ cm}^2$
- (3)  $30 \text{ cm}^2$
- (4)  $50 \text{ cm}^2$

8 What is the missing number in the box?

$$18 : 63 = 2 : \square$$

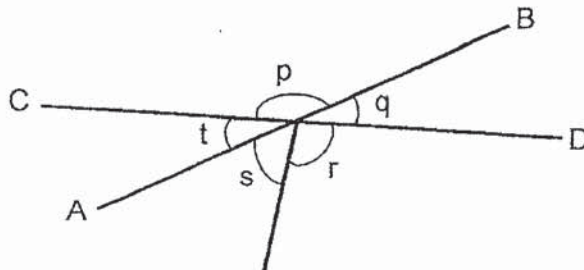
- (1) 9
- (2) 8
- (3) 7
- (4) 6

9 What percentage of the figure is shaded?



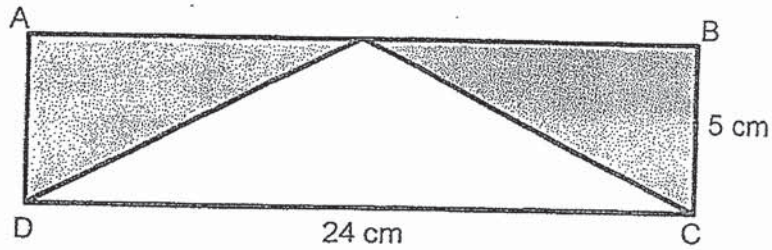
- (1) 75 %
- (2) 50 %
- (3) 40 %
- (4) 25 %

10 In the figure below, AB and CD are straight lines. Which one of the following statements is true?

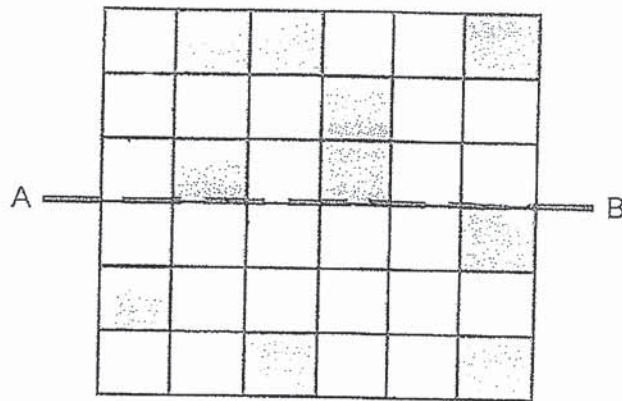


- (1)  $p = r$
- (2)  $t = q$
- (3)  $s = t$
- (4)  $r = q$

- 11 Harold cut out three triangles. He joined them to form the rectangle ABCD shown below. BC = 5 cm and CD = 24 cm. Find the total area of the shaded parts.



- (1) 15 cm<sup>2</sup>  
 (2) 30 cm<sup>2</sup>  
 (3) 40 cm<sup>2</sup>  
 (4) 60 cm<sup>2</sup>
- 12 The figure below shows 10 shaded squares. How many more squares must be shaded so that the line AB becomes a line of symmetry?

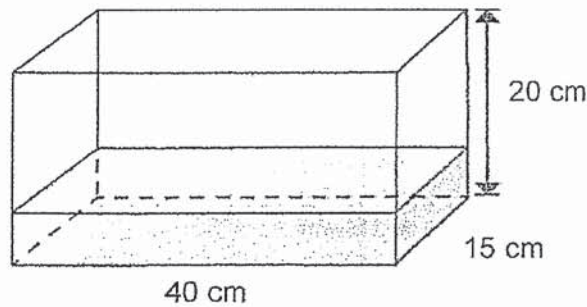


- (1) 7  
 (2) 6  
 (3) 5  
 (4) 4

- 13 Mei Mei had some coins in her purse. The coins were either 50-cent coins or 20-cent coins. There were twice as many 20-cent coins as 50-cent coins in the purse. The total value of all her coins was \$9. How many coins were there in her purse altogether?

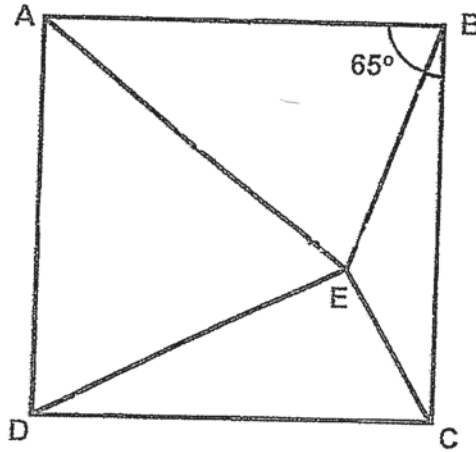
- (1) 10
- (2) 20
- (3) 30
- (4) 60

- 14 A rectangular tank measuring 40 cm by 15 cm by 20 cm is  $\frac{2}{5}$  filled with water. How much more litres of water is needed to fill the tank to 50% of the capacity?



- (1) 1.2l
- (2) 4.8l
- (3) 6.0l
- (4) 7.2l

- 15 In the figure, Square ABCD is made up of 4 triangles,  $AB = AE = AD$  and  $\angle ABE = 65^\circ$ . Find  $\angle AED$ .



- (1)  $40^\circ$
- (2)  $50^\circ$
- (3)  $65^\circ$
- (4)  $70^\circ$





# RED SWASTIKA SCHOOL

## 2019 SEMESTRAL ASSESSMENT 2

### MATHEMATICS PAPER 1

Name : \_\_\_\_\_ ( )

Class : Primary 5 / \_\_\_\_\_

Date : 25 Oct 2019

### BOOKLET B

15 Questions  
25 Marks

In this booklet, you should have the following:

- (a) Page 7 to Page 13
- (b) Questions 16 to 30

#### MARKS

	OBTAINED	POSSIBLE
BOOKLET A		20
BOOKLET B 0		25
TOTAL		45

Parent's Signature : \_\_\_\_\_

Questions 16 to 20 carry 1 mark each. Write your answers in the spaces provided. For questions which require units, give your answers in the units stated. (5 marks)

---

16 Find the value of  $50 - 4 \times 2 \div (3 + 5)$ .

Ans: \_\_\_\_\_

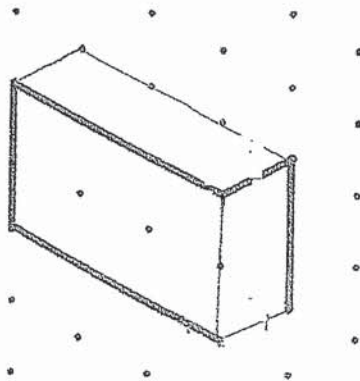
---

17 Find the product of 6400 and 800.

Ans: \_\_\_\_\_

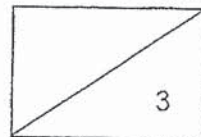
---

18 Complete the drawing of the cuboid.



---

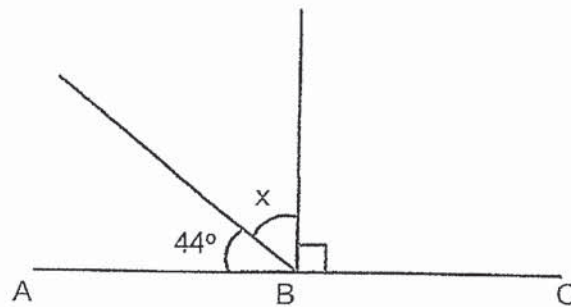
7



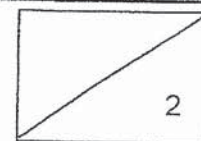
- 19 Jerry can do 81 push-ups in 3 minutes. At this rate, how many push-ups can he do in one minute?

Ans: \_\_\_\_\_

- 20 ABC is a straight line. Find  $\angle x$ .



Ans: \_\_\_\_\_<sup>o</sup>



Questions 21 to 30 carry 2 marks each. Show your workings clearly in the space provided for each question and write your answers in the spaces provided. For questions which require units, give your answers in the units stated.

(20 marks)

---

21 What is  $18 \times \frac{8}{3}$  ?

Ans: \_\_\_\_\_

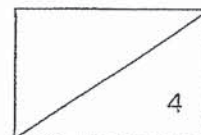
---

22 Mrs Mary bought 500 identical sets of colour pencils for \$2.50 each. What was the cost of all the colour pencils?

Ans: \$ \_\_\_\_\_

---

9



23 What is 19008 ml in litres?

Ans: \_\_\_\_\_ l

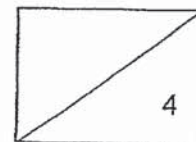
---

24 How many 2-cm cubes can be fitted into a box 20 cm by 23 cm by 10 cm?

Ans: \_\_\_\_\_

---

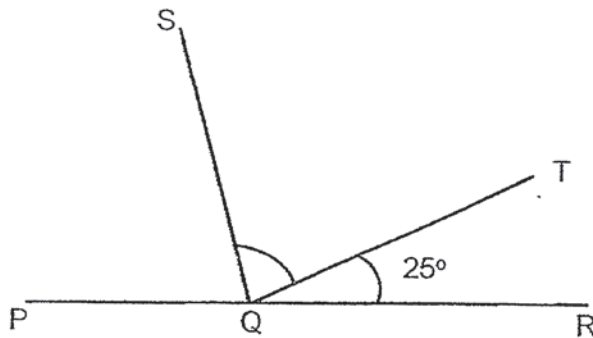
10



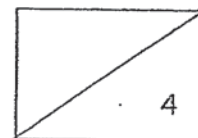
- 25 Ashley, Barbie and Carman had some K-pop cards in the ratio 4 : 7 : 3. Ashley gave half of her cards to Barbie and Barbie gave 40 of her cards to Carman. In the end, Carman had 4 times as many cards as Ashley. How many K-pop cards did Barbie have in the end?

Ans: \_\_\_\_\_

- 26 PQR is a straight line.  $\angle TQR = 25^\circ$  and  $\angle SQP$  is thrice of  $\angle TQR$ . Find  $\angle SQT$ .



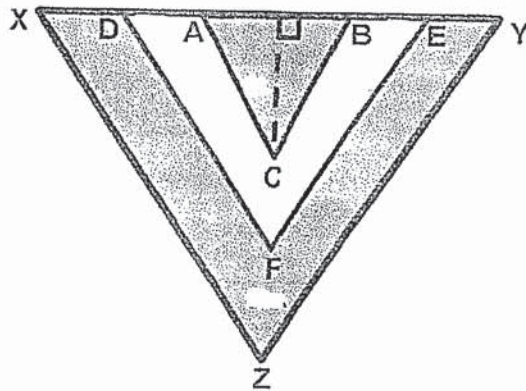
Ans: \_\_\_\_\_



- 27 Use all the digits 4, 0, 5, 9, to form the largest even number and the largest odd number. Find the difference between the above two numbers.

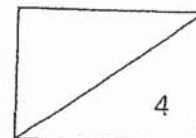
Ans: \_\_\_\_\_

- 28 The figure is made up of three triangles, ABC, XYZ and DEF. The area of triangle XYZ is six times the area of triangle ABC. The area of triangle ABC is  $\frac{1}{3}$  of triangle DEF. The area of triangle ABC is  $12 \text{ cm}^2$ . What is the total area of the shaded parts?



Ans: \_\_\_\_\_  $\text{cm}^2$

12



- 29 Mr Lee poured 4 cups of water into an empty square-based container of side 10 cm and height 20 cm. As a result, the container was only  $\frac{1}{4}$  filled with water. How much water did each cup contain?

Ans: \_\_\_\_\_ ml

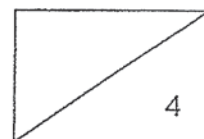
---

- 30 Shawn took a total of 20 ml of cough medicine on Saturday. He took 5 ml of the medicine every 5 hours. Shawn started taking the medicine at 7.15 a.m. What time did he take the last 5 ml of the medicine that day?

Ans: \_\_\_\_\_

---

END OF PAPER







RED SWASTIKA SCHOOL

# RED SWASTIKA SCHOOL

## 2019 SEMESTRAL ASSESSMENT 2

### MATHEMATICS

### PAPER 2

Name : \_\_\_\_\_ (

Class : Primary 5 / \_\_\_\_\_

Date : 25 Oct 2019

17 Questions

55 Marks

Duration of Paper 2: 1 hour 30 minutes

Note:

1. Do not open this Booklet until you are told to do so.
2. Read carefully the instructions given at the beginning of each part of the Booklet.
3. Do not waste time. If a question is difficult for you, go on to the next one.
4. Check your answers thoroughly and make sure you attempt every question.
5. In this paper, you should have the following:
  - (a) Page 1 to Page 13
  - (b) Questions 1 to 17
6. You are allowed to use a calculator.

MARKS

	OBTAINED	POSSIBLE
PAPER 1		45
PAPER 2		55
TOTAL		100

Parent's Signature : \_\_\_\_\_



Questions 1 to 5 carry 2 marks each. Show your workings clearly in the space below each question and write your answers in the spaces provided. For questions which require units, give your answers in the units stated.

(10 marks)

- 1 Hamid's scores for 5 games are shown in the table below.

Game	1st	2nd	3rd	4th	5th
Score	3	1	0	10	9

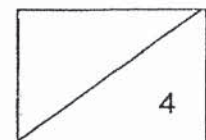
Find his average score for the 5 games.

Ans: \_\_\_\_\_

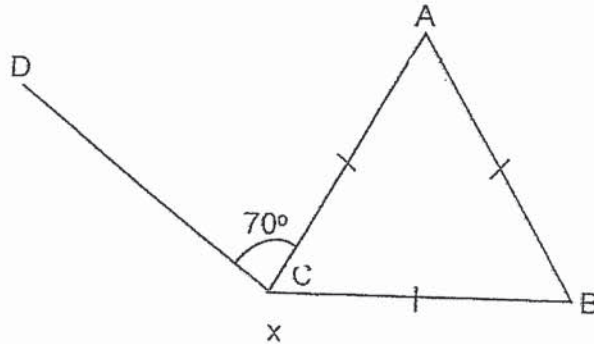
- 2 Find the volume of a cube of edge 8 cm.

Ans: \_\_\_\_\_ cm<sup>3</sup>

1

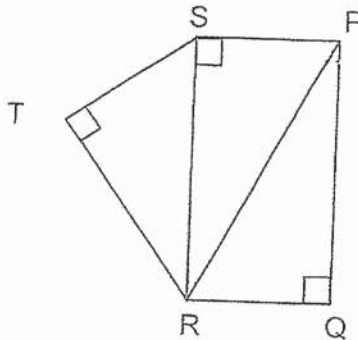


- 3 In the figure below, CD is a straight line. ABC is an equilateral triangle. Find  $\angle x$ .



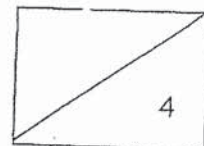
Ans: \_\_\_\_\_°

- 4 In the figure below not drawn to scale, PQRS is a rectangle and RST is a right-angled triangle.



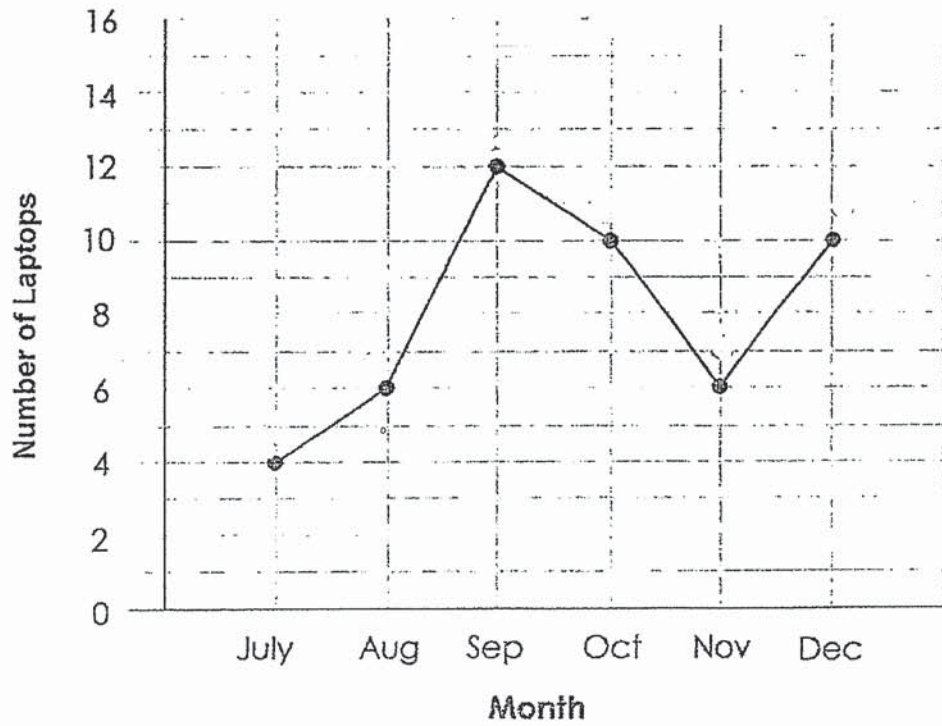
Tick whether the statement is 'True', 'False' or 'Not possible to tell' accordingly.

	True	False	Not possible to tell
a) SR is parallel to RQ.			
b) RQ is perpendicular to TR.			
c) ST is perpendicular to TR.			
d) $\angle PRQ$ is $55^\circ$ .			



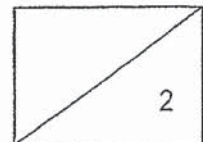
- 5 The line graph shows the number of laptops sold by a salesperson over six months.

Laptops sold from July to December



Each laptop cost \$955. How much money was collected from the total sales of laptops from October to December?

Ans: \$ \_\_\_\_\_



For Questions 6 to 17, show your workings clearly in the space below each question and write your answers in the spaces provided. The number of marks available is shown in brackets [ ] at the end of each question or part-question.

(45 marks)

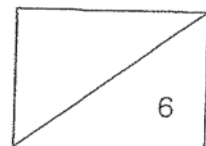
- 6 Lita needs 100 pieces of ribbons, each 50 cm, to wrap some presents. Ribbons is sold in roll of 15 m each. What is the least number of rolls of ribbon that Lita needs to buy?

Ans: \_\_\_\_\_ [3]

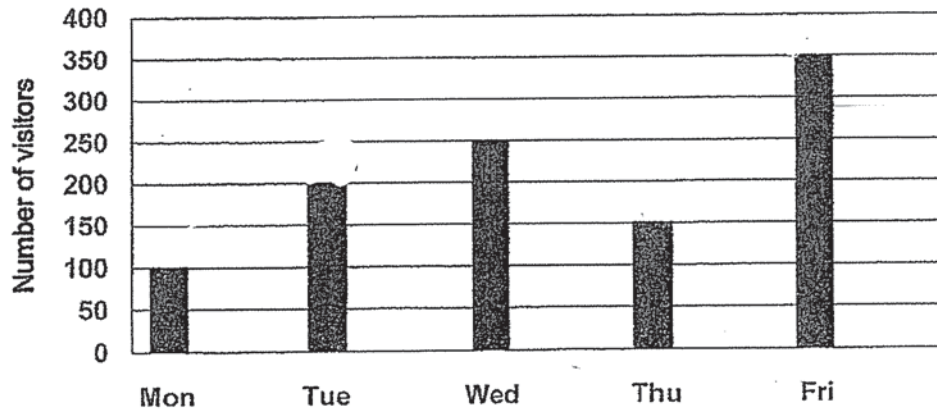
- 7 A glass jar contains red, blue and yellow M&M chocolates.  $\frac{1}{4}$  of the chocolates are blue.  $\frac{4}{9}$  of the remaining chocolates are yellow. What fraction of the chocolates in the glass jar are red?

Ans: \_\_\_\_\_ [3]

4



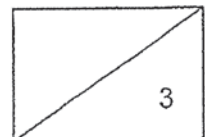
- 8 The bar graph shows the number of visitors to the ZOOMov playground from Monday to Friday last week.



- (a) What was the average number of visitors from Monday to Friday last week?
- (b) The average number of visitors on Saturday and Sunday was 50 more than the average numbers of visitors from Monday to Friday. What was the total number of visitors on Saturday and Sunday?

Ans: (a) \_\_\_\_\_ [1]

(b) \_\_\_\_\_ [2]



- 9 Water flows from a tap at a rate of  $17\text{ l}$  every 5 minutes. At this rate, how long will it take for the tap to fill an empty tank with  $136\text{ l}$  of water?

Ans: \_\_\_\_\_ [3]

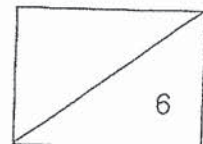
---

- 10 A rope of length  $23.4\text{ m}$  was cut into three pieces. The first piece was thrice as long as the third piece. The third piece was twice as long as the second piece. What was the length of the longest piece of rope? Give your answer in centimetres.

Ans: \_\_\_\_\_ [3]

---

6

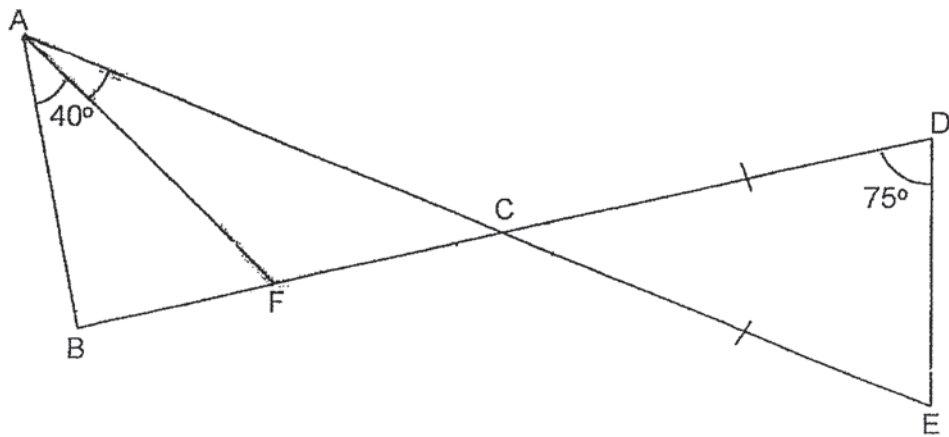




- 11 The figure below is made up of a right-angled triangle ABC and an isosceles triangle CDE. ACE and BFCD are straight lines.  $\angle BAF$  is  $40^\circ$  and  $\angle CDE$  is  $75^\circ$ .

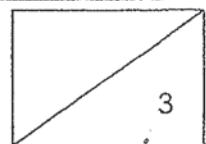
(a) Find  $\angle AFC$ .

(b) Find  $\angle FAC$ .



Ans: (a) \_\_\_\_\_ [1]

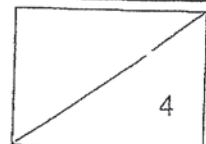
(b) \_\_\_\_\_ [2]



- 12 Jasmine went into a restaurant and ordered a set lunch which cost \$25. When she paid at the cashier, she was given a discount of 20% for the set lunch but there was an additional of GST 7% that she had to pay after the discount. In the end, how much did Jasmine spend on her lunch?

Ans: \_\_\_\_\_ [4]

8



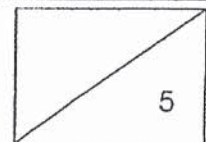
13 A delivery company earned \$3.50 for every vase delivered safely. For every vase damaged during delivery, the company had to pay \$7.50. Mr Ahmad ordered 140 vases but he only paid the delivery company \$413 as some vases were damaged during delivery.

(a) How much did the delivery company lose because of the damaged vases?

(b) How many vases were damaged?

Ans: (a) 0 [2]

(b) \_\_\_\_\_ [3]



- 14 The amount of time taken by 4 students to complete their homework is given in the table below.

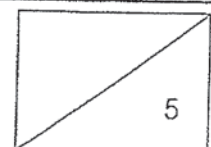
Name	Time taken
Siti	1.5 hr
Jonathan	1 hr 20 min
Matthew	98 min
Ahmad	?

- (a) Ahmad was 25 minutes slower than Matthew in completing his homework. What was the time taken by Ahmad to complete his homework? Give your answer in hours and minutes.
- (b) Who was the first to complete his/her homework?
- (c) Find the average time taken by the 4 students to complete their homework. Give your answer in minutes.

Ans: (a) \_\_\_\_\_ [2]

(b) \_\_\_\_\_ [1]

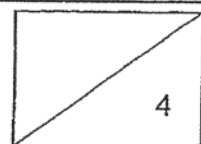
(c) \_\_\_\_\_ [2]



- 15 246 girls and 460 boys signed up for a Mathematics competition. On the actual day of the competition, some boys were absent. As a result, the ratio of the number of girls to the number of boys taking part in the competition was 6 : 11. How many boys were absent for the competition?

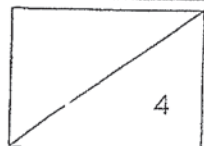
Ans: \_\_\_\_\_ [4]

11

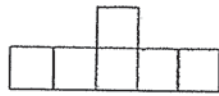


- 16 Rita had some money. She spent  $\frac{1}{4}$  of her money on 9 notebooks and 9 pens. The cost of each notebook is 3 times the cost of each pen. Then, she decided to buy some more notebooks with  $\frac{5}{8}$  of her original sum of money. How many notebooks did Rita buy altogether?

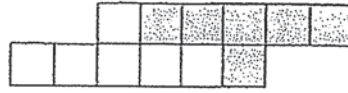
Ans: \_\_\_\_\_ [4]



- 17 A T-block is made up of 6 units squares and has a perimeter of 14 units. The following patterns are made up of such T-blocks joined in single rows.



1 – T Block



2 – T Block



3 – T Block

- (a) Fill in the missing numbers in the table below.

[2]

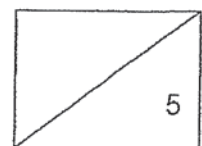
Block	Unit Squares	Perimeter (units)
1 – T	6	14
2 – T	12	20
3 – T	18	
4 – T	24	

- (b) How many unit squares are there in 100 – T Block?  
 (c) What is the perimeter of a 20 – T Block?

Ans: (b) \_\_\_\_\_ [1]

(c) \_\_\_\_\_ [2]

END OF PAPER







## ANSWER KEY

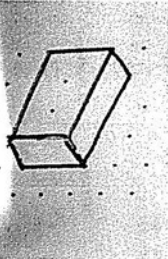
YEAR : 2019  
LEVEL : PRIMARY 5  
SCHOOL : Red Swastika School  
SUBJECT : Mathematics  
TYPE : Semestral Assessment 2

### Paper 1

Q1	Q2	Q3	Q4	Q5	Q6	Q7	Q8	Q9	Q10
2	4	2	3	2	4	1	3	4	2
Q11	Q12	Q13	Q14	Q15					
4	2	3	1	3					

Q16. 49

Q17. 5120000



Q18.

Q19. 27

Q20. 46

Q21. 48

Q22. 1250

Q23. 19.008

Q24. 550

Q25. 32

Q26. 80

Q27. 135

Q28. 48

Q2

Q3 5pm

jev

### Paper 2

Q1.  $23/5 = 4.6$

Q2.  $8 \times 8 \times 8 = 512$

Q3.  $360 - (70 + 60) = 230$

Q4. False, False, True, Not possible to tell

Q5.  $26 \times \$955 = 24830$

Q6.  $5000\text{cm} = 50\text{m}$

$50/15 = 3\text{R}5$

$3 + 1 = 4$

Q7.  $5/12$

Q8.

a)  $1050/5 = 210$

b)  $(210+50) \times 2 = 520$

Q9. 40mins

Q10.  $23.4/9 = 2.6\text{m}$

$2.6 \times 6 = 15.6\text{m}$

$= 1560\text{cm}$

Q11.

a)  $180 - 50 = 130$

b)  $180 - 160 = 20$

Q12.  $\$20 + \$1.40 = \$21.40$

Q13.

a)  $\$77$

b) 7

Q14.

a) 2hr3min

b) Jonathan

c) 97.75min

Q15.  $460 - 451 = 9$

Q16.  $90/3 = 30$

$30 + 9 = 39$

Q17.

a)  $6 \times 100 = 600$

b)  $6 \times 20 = 120$

$120 + 8 = 128\text{cm}$

END