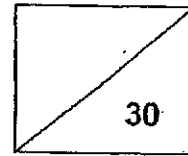




Maha Bodhi School
2023 Weighted Assessment 1
Mathematics Review 1
Primary 5



Name: _____ ()

Class: Primary 5 _____

Duration: 40 minutes

Date: 27 April 2023

Parent's Signature: _____

Note: The use of calculators is **NOT** allowed.

Questions 1 to 6 carry 1 mark each. Questions 7 to 10 carry 2 marks each.
For each question, four options are given. One of them is the correct answer.
Make your choice (1, 2, 3 or 4) and write your choice in the bracket () provided.
(14 marks)

1. What is the value of the digit 3 in the number 538 072?

- (1) 30
- (2) 300
- (3) 3000
- (4) 30 000

()

2. Find the value of $248\ 000 \div 400$.

- (1) 62
- (2) 620
- (3) 6200
- (4) 62 000

()

3. Which of the following fractions is greater than $\frac{1}{2}$?

(1) $\frac{6}{11}$

(2) $\frac{5}{13}$

(3) $\frac{10}{21}$

(4) $\frac{11}{22}$

()

4. What is the value of $3\frac{3}{8} - 1\frac{2}{3}$?

(1) $\frac{17}{24}$

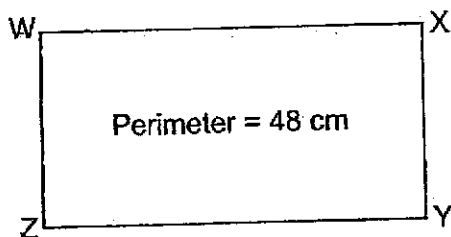
(2) $1\frac{17}{24}$

(3) $2\frac{1}{5}$

(4) $2\frac{4}{5}$

()

5. In the figure below, WXYZ is a rectangle with a perimeter of 48 cm. The length of XY is 8 cm. Find the length of WX?



(1) 6 cm

(2) 16 cm

(3) 20 cm

(4) 32 cm

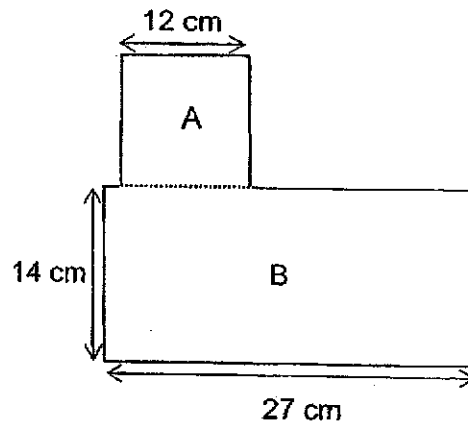
$8 \times 2 = 16$

~~$48 - 16 = 32$~~

$32 \div 2 = 16$

()

6. The figure below is made up of square A and rectangle B.
Find the perimeter of the figure.



- (1) 53 cm
 (2) 77 cm
 (3) 106 cm
 (4) 130 cm

()

7. John had 96 marbles.
 He packed them equally into 6 boxes and then gave away 3 of the boxes.
 Which of the following expressions correctly describes the working to find out the number of marbles he gave away?

- (1) $96 \div 6 - 3$
 (2) $96 \div (6 - 3)$
 (3) $96 \div (6 \times 3)$
 (4) $96 \div 6 \times 3$

()

8. Oranges are sold in bags of 9. Each bag of oranges costs \$8.
Mrs Lim has \$114. How many oranges can she buy at most?



- (1) 96
(2) 104
(3) 126
(4) 135

()

9. $\frac{5}{6}$ of a number is 360. What is $\frac{2}{3}$ of the number?

 $\frac{1}{6}$

- (1) 200
(2) 288
(3) 450
(4) 648

()

10. Rachel saved some money.

She spent $\frac{1}{4}$ of her savings on a dress and $\frac{1}{3}$ of the remaining savings on a book. She had \$75 left.

How much money did she save?

- (1) \$150
(2) \$180
(3) \$300
(4) \$450

()

Questions 11 to 14 carry 1 mark each. Write your answers in the spaces provided.

For questions which require units, give your answers in the units stated. (4 marks)

11. Write three million, fifty-four thousand and twelve in numerals.

Ans: _____

12. Use all the digits, 9, 4, 2 to form the smallest multiple of 6

Ans: _____

13. Express $2\frac{5}{8}$ as a decimal.

Ans: _____

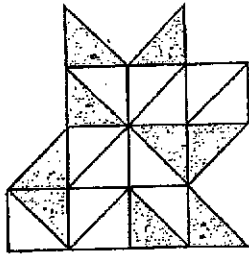
14. Find the value of $\frac{6}{7} \times \frac{3}{4}$. Express your answer in the simplest form.

Ans: _____

/4

Questions 15 to 20 carry 2 marks each. Show your working clearly in the space below each question and write your answers in the spaces provided. For questions which require units, give your answers in the units stated. (12 marks)

15. How many more triangles must be shaded such that $\frac{2}{3}$ of the figure is shaded?



Ans: _____

16. Crate A contained 428 apples and Crate B contained 716 apples at first. After an equal number of apples were removed from both crates, Crate B contained thrice as many apples as Crate A. How many apples were there in Crate A in the end?

Ans: _____

/ 4

17. Michelle had $1\frac{1}{6}$ m of cloth.

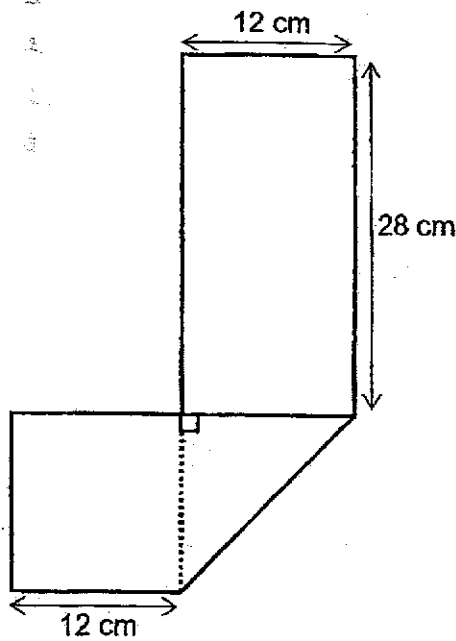
She used $\frac{5}{6}$ m of the cloth to make a bag and gave $\frac{2}{5}$ of the remaining cloth to

Jane. How much cloth did Michelle have left?

Express your answer in the simplest form.

Ans: _____ m

18. A rectangular piece of paper is folded to form the shape below. What is the area of the rectangular piece of paper before it was folded?



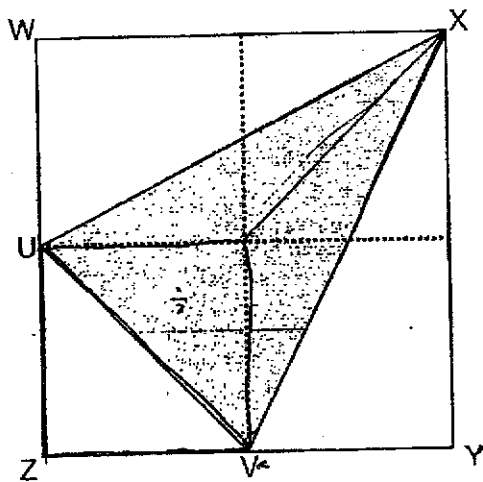
Ans: _____ cm²

14

19. At a birthday party, every girl was given 2 balloons and every boy was given 3 balloons. There were thrice as many girls as boys. A total of 144 balloons were given out. How many girls were there at the birthday party?

Ans: _____

20. In the figure below, the area of square WXYZ is 832 cm^2 . The square WXYZ is made up of 4 smaller equal squares. UV is the diagonal of a smaller square. Find the area of the shaded triangle XUV.



Ans: _____



Remember to check your work!

~ End of Paper ~

SCHOOL : MAHA BODHI SCHOOL
 LEVEL : PRIMARY 5
 SUBJECT : MATH
 TERM : WA1 (2023)

Q1	Q2	Q3	Q4	Q5	Q6	Q7	Q8	Q9	Q10
4	2	1	2	2	1	4	3	2	1

Q11)	3054012
Q12)	294
Q13)	2.625
Q14)	9/14
Q15)	$21 \div 3 = 7$ $7 \times 2 = 14$ $14 - 9 = 5$
Q16)	$716 - 428 = 288$ $288 \div 2 = 144$
Q17)	1/5
Q18)	$12 \times 2 = 24$ $24 + 28 = 52$ $52 \times 12 = 624 \text{ cm}^2$
Q19)	$144 \div 9 = 16$ $16 \times 3 = 48$
Q20)	$4 - 2\frac{1}{2} = 1\frac{1}{2}$ $832 \div 4 = 208$ $208 \div 2 = 104$ $208 + 104 = 312$

