



MARIS STELLA HIGH SCHOOL (PRIMARY)
PRIMARY 5 MATHEMATICS
TERM 2 WEIGHTED ASSESSMENT

11 MAY 2023

17 questions

55 marks

Total Time: 1 hour and 30 minutes

<p>NAME : _____ ()</p> <p>CLASS : PRIMARY 5 _____</p>
--

DO NOT OPEN THIS BOOKLET UNTIL YOU ARE TOLD TO DO SO.

FOLLOW ALL INSTRUCTIONS CAREFULLY.

YOU ARE ALLOWED TO USE A CALCULATOR.

ANSWER ALL QUESTIONS.

<p style="text-align: center;"><u>MARKS OBTAINED</u></p> <p>TOTAL: _____ / 55</p>	<p>Parent's Signature:</p> <p>_____</p> <p>Date:</p> <p>_____</p>
---	---

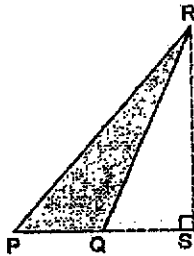
Questions 1 to 5 carry 2 marks each. Show your working clearly in the space provided for each question and write your answers in the blanks provided. For questions which require units, give your answers in the units stated. (10 marks)

1. Express $\frac{4}{13}$ as a decimal. Correct your answer to 2 decimal places.

Do not write in this space.

Answer: _____ [2]

2. RS is the height of triangle PRQ. _____ is its base.



Answer: _____ [2]

3. $204 : 252 : 180 = \boxed{(a)} : \boxed{(b)} : 15$

Answer: (a) _____ [1]

(b) _____ [1]

4. A box contained 63 books. 14 of the books were fiction books and the rest were non-fiction books. Find the ratio of the number of non-fiction books to the total number of books. Give your answer in the simplest form.

Do not write in this space.

Answer: _____ [2]

5. Mitra had some \$5 notes and \$50 notes. He had as many \$5 notes as \$50 notes. The total value of the notes was \$880. How many \$50 notes did he have?

Answer: _____ [2]

For Questions 6 to 17, show your working clearly in the space below each question and write your answers in the blanks provided. The number of marks available is shown in the brackets [] at the end of each question or part-question. (45 marks)

6. (a) $7\frac{1}{2} + 3\frac{3}{4} =$

(b) $11\frac{1}{3} - 4\frac{1}{8} =$

(c) Find the product of $7\frac{2}{5}$ and 40.


Do not write in this space.

Answer: (a) _____ [1]

(b) _____ [1]

(c) _____ [1]

7. The table below shows the number of each item sold at a bookshop. Part of the table is stained with ink.

Item	Number sold
Pen	
Ruler	64
Eraser	50

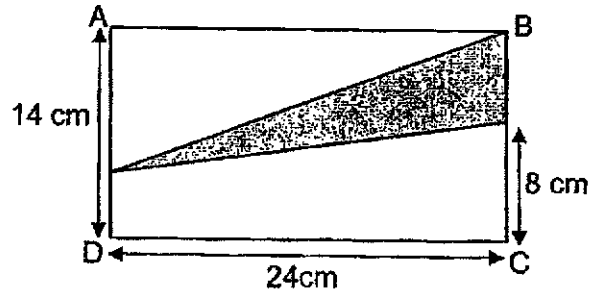
(a) The ratio of the number of pens sold to the number of rulers sold is 1:4. Find the number of pens sold.

(b) What is the ratio of the number of rulers sold to the total number of rulers and erasers sold? Give your answer in the simplest form.

Answer: (a) _____ [1]

(b) _____ [2]

8. Figure ABCD is a rectangle. Find the area of the shaded part.



Do not
write in
this
space.

Answer: _____ [3]

9. Rachel made 450 ml of fruit punch by mixing apple juice with soda. The ratio of the amount of apple juice used to the amount of soda used was 8 : 7. How much soda did Rachel use?

Answer: _____ [3]

10. The number of packets of rice donated by Andy, Gary and Winnie were in the ratio 4 : 5 : 7. Winnie donated 20 more packets of rice than Gary. How many packets of rice did they donate altogether?

Do not write in this space.

Answer: _____ [3]

11. Sarah had 510 stickers. She threw away 30 stickers and gave $\frac{1}{2}$ of the remaining stickers to her sister.

- (a) What fraction of the original amount of stickers did she throw away?
Give your answer in the simplest form.
- (b) How many stickers did Sarah give to her sister?

Answer: (a) _____ [1]

(b) _____ [3]

12. 4 years ago, Jack was 3 times as old as Toby. The sum of their ages now is 44. How old is Jack now?

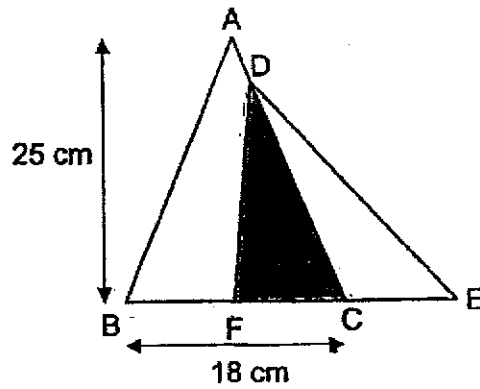
Do not write in this space.

Answer: _____ [4]

13. Triangle ABC overlaps Triangle DEF as shown. The height of triangle ABC is 25 cm and its base is 18 cm. $BF = FC = CE$. The shaded area is 99 cm^2 .

(a) Find the area of the unshaded region of Triangle ABC.

(b) Find the area of Triangle DFE.



Do not write in this space.

Answer: (a) _____ [2]

(b) _____ [2]

SCORE
(Go on to the next page)

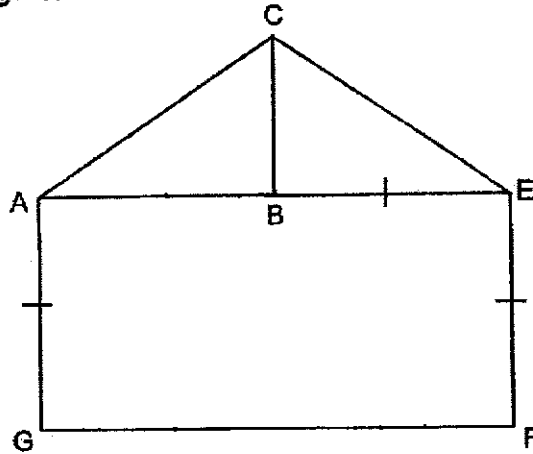
14. Lilin had \$12080 and Maia had \$1760. After an equal amount of money was given to the both of them, the amount of money Lilin had was 5 times that of Maia. How much money did each of them receive?

Do not
write in
this
space.

Answer: _____ [4]

15. The figure below is made up of rectangle AEFB and 2 right angled triangles. $AG = AB = BE = EF$. BC is $\frac{1}{3}$ of AE . The perimeter of rectangle AEFB is 108 cm. Find the area of the figure.

Do not write in this space.



Answer: _____ [4]

16. Mrs Yang baked some macaroons. $\frac{3}{4}$ of them were chocolate macaroons and the rest were strawberry macaroons. She sold $\frac{5}{6}$ of the chocolate macaroons and $\frac{3}{8}$ of the strawberry macaroons. After that, she had 81 macaroons left.

(a) How many macaroons did Mrs Yang bake?

(b) She sold the macaroons at 3 for \$7.

How much did she collect from the sale of the macaroons?

Do not
write in
this
space.

Answer: (a) _____ [3]

(b) _____ [2]

17. Mr Lim divided a sum of money among his 4 children, Ben, Carol, Dan and Eunice. Ben received \$525 and Carol received $\frac{1}{3}$ of the remaining money. Dan received half of what Carol received and Eunice received the rest which was $\frac{1}{4}$ of the sum of money.

Do not write in this space.

- (a) What fraction of the sum of money did Ben receive? Give your answer in the simplest form.
- (b) How much was the sum of money?

Answer: (a) _____ [3]

(b) _____ [2]

End of Paper

Please check your work carefully

SCHOOL : MARIS STELLA PRIMARY SCHOOL

LEVEL : PRIMARY 5

SUBJECT : MATH

TERM : WA2 (2023)

1)	0.31
2)	PQ
3)	a)17 b)21
4)	7:9
5)	16
6)	a)11¼ b)7 $\frac{5}{24}$ c)296
7)	a)16 b)32:57
8)	14 - 8 = 6 $\frac{1}{2} \times 6 \times 24 = 72\text{cm}^2$
9)	8 + 7 = 15 450 ÷ 15 = 30 30 x 7 = 210ml
10)	2unit = 20 1unit = 10 7 + 5 + 4 = 16 16 units = 16 x 10 = 160

11)	<p>a) $\frac{1}{17}$ b) 1 unit = 30 8 units = $30 \times 8 = 240$</p>
12)	<p>$44 - 8 = 36$ 1 unit = $36 \div 4 = 9$ 3 units = $9 \times 3 = 27$ $27 + 4 = 31$ years old</p>
13)	<p>a) $ABC = \frac{1}{2} \times 25 \times 18 = 225\text{cm}^2$ $225 - 99 = 126\text{cm}^2$ b) 198cm^2</p>
14)	<p>$4u = 12080 - 1760 = 10320$ $1u = 2580$ $2580 - 1760 = \\$820$</p>
15)	<p>$108 \div 6 = 18$ $AE = 18 \times 2 = 36\text{cm}$ $CB = 36 \div 3 = 12$ $ABC = \frac{1}{2} \times 12 \times 18 = 108\text{cm}^2$ $108 \times 2 = 216\text{cm}^2$ $36 \times 18 = 648\text{cm}^2$ $648 + 216 = 864\text{cm}^2$</p>
16)	<p>a) 9 units = 81 1 unit = $81 \div 9 = 9$ 8 units = $9 \times 8 = 72$ 2 unit = 72 8 units = $72 \times 4 = 288$ b) $288 - 81 = 207$ $207 \div 3 = 69$ $69 \times 7 = \\$483$</p>
17)	<p>a) $\frac{1}{4} = 3$ unit $\frac{4}{4} = 3 \times 4 = 12$ units $12 - 6 = 6$ $\frac{6}{12} = \frac{1}{2}$ b) 6 units = 525</p>

$1 \text{ unit} = 525 \div 6 = 87.5$ $12 \text{ units} = 87.5 \times 12 = \1050
--



MARIS STELLA HIGH SCHOOL (PRIMARY)
PRIMARY 5 MATHEMATICS
TERM 3 WEIGHTED ASSESSMENT
18 August 2023

15 questions

30 marks

Total Time: 45 minutes

<p>NAME : _____ ()</p> <p>CLASS : PRIMARY 5 _____</p>

DO NOT OPEN THIS BOOKLET UNTIL YOU ARE TOLD TO DO SO.

FOLLOW ALL INSTRUCTIONS CAREFULLY.

YOU ARE **NOT ALLOWED** TO USE A CALCULATOR.

ANSWER ALL QUESTIONS.

<p style="text-align: center;"><u>MARKS OBTAINED</u></p> <p>TOTAL: _____ / 30</p>	<p>Parent's Signature:</p> <p>_____</p> <p>Date:</p> <p>_____</p>
---	---

SECTION A: 8 marks

Questions 1 to 2 carry 1 mark each. Questions 3 to 5 carry 2 marks each.
For each question, four options are given. One of them is the correct answer.
Make your choice (1, 2, 3 or 4) and write the correct answer in the brackets provided.

1. In 9.876, which digit is in the hundredths place?

- (1) 9
- (2) 8
- (3) 7
- (4) 6

2. Which number is the smallest?

- (1) 0.51
- (2) 0.62
- (3) 0.501
- (4) 0.602

3. Mark recorded the weight of his 4 friends. Find the average weight of these 4 friends.

Name	Charles	Richard	Kate	Jessica
Weight (kg)	59	67	43	51

- (1) 44 kg
- (2) 55 kg
- (3) 126 kg
- (4) 220 kg

4. 300 students attended the Primary 5 level camp. 120 of them are girls. What percentage of the students are boys?
- (1) 40%
 - (2) 60%
 - (3) 120%
 - (4) 180%
5. Maria deposited \$20 000 in a fixed deposit account with Orion Bank. The bank paid 3% interest at the end of the year. How much did Maria have in her bank account after 1 year?
- (1) \$20 006
 - (2) \$20 060
 - (3) \$20 600
 - (4) \$26 000

SECTION B: 12 marks

Questions 6 to 7 carry 1 mark each. Questions 8 to 12 carry 2 marks each. Show your working clearly in the space provided for each question and write your answers in the blanks provided. For questions which require units, give your answers in the units stated.

6. Express 0.807 as a percentage.

Answer: _____ % [1]

7. Find the value of $65 \div 200$

Answer: _____ [1]

8. A string of length 5.4 m was cut into 3 pieces. The first piece was 3 times as long as the second piece. The second piece was twice as long as the third piece. How long was the second piece? Express your answer in metres.

Answer: _____ m [2]

Do not
write in
this
space.

9. 12 macaroons costs \$59.80. How much will 36 such macaroons cost?

Do not
write in
this
space.

Answer: \$ _____ [2]

10. The table shows the results obtained by Jenny during her examination. Part of the table is covered by an inkblot.

Subject	Score
English	75
Mathematics	89
Chinese	61
Science	

The average score for the 4 subjects is 72. What is the largest possible score Jenny obtained for Science?

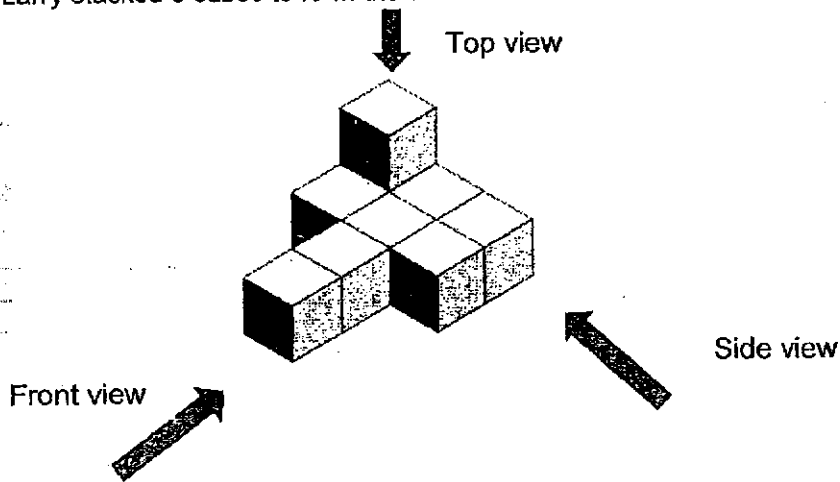
Answer: _____ [2]

11. Clarence and Declan had \$4500 together. After Clarence spent 40% of his money and Declan spent 25% of his money, they each had an equal amount of money left. How much money did Declan had at first?

Do not write in this space.

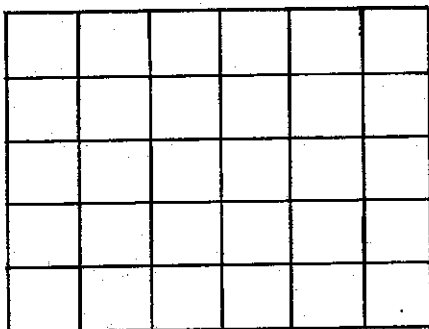
Answer: \$ _____ [2]

12. Larry stacked 9 cubes to form the solid below.

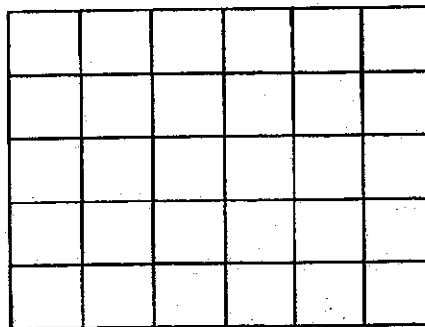


Draw the front view and the top view of the solid on the grids below:

Front View



Top View



[2]

SECTION C: 10 marks

Questions 13 to 14 carry 3 marks each. Question 15 carries 4 marks.

Show your working clearly in the space provided for each question and write your answers in the blanks provided.

13. Mr Lim spent \$54 on chicken, eggs and fish. The cost of chicken was 35% of the total cost of all items. The cost of fish was 40% of the total cost of all items. How much more money did Mr Lim spend on fish than on eggs?

Do not
write in
this
space.

Answer: _____ [3]

14. Winnie paid \$24.50 for 3 large bottles and 5 small bottles. With the remaining money, she could not buy another large bottle as she was short of \$0.90. She then bought another small bottle and had \$1.40 left. How much money did Winnie have at first?

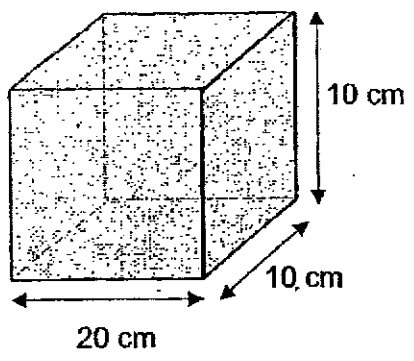
Do not write in this space.

Answer: _____ [3]

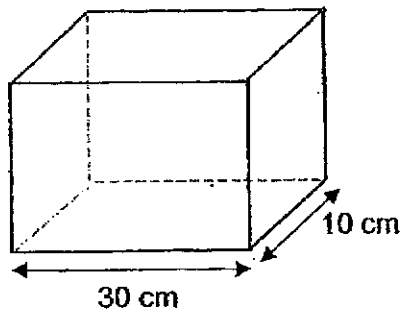
--

15. Tank A is completely filled with water. The water from Tank A is then poured into Tank B such that the heights of water in both tanks are the same. Find the volume of water poured out of Tank A.

Do not write in this space.



Tank A



Tank B

Answer: _____ [4]

End of Paper
Please check your work carefully

SCORE

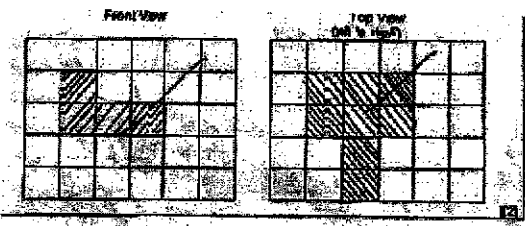
SCHOOL : MARIS STELLA PRIMARY SCHOOL

LEVEL : PRIMARY 5

SUBJECT : MATH

TERM : TERM 3 (2023)

Q 1	Q2	Q3	Q4	Q5
3	3	2	2	3

6)	80.7%
7)	0.325
8)	1.2m
9)	\$179.40
10)	64
11)	\$2000
12)	
13)	\$8.10
14)	\$28.10
15)	1200cm ³

