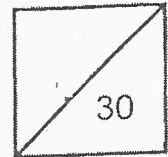




Methodist Girls' School (Primary)
Primary 6 Mathematics
Weighted Assessment 1 2024

Name: _____ () Date: _____

Class: Primary 6. _____



Question 1 and 2 carry 1 mark each. Questions 3 to 5 carry 2 marks each.
For each question, four options are given. One of them is the correct answer.
Make your choice (1, 2, 3 or 4) and shade your answer accordingly below.

(8 marks)

Do not write
in this space



1 Which of the following fractions is greater than $\frac{2}{3}$?

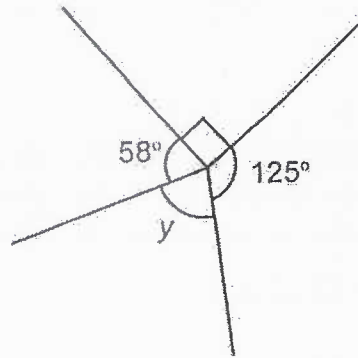
(1) $\frac{3}{5}$

(2) $\frac{5}{7}$

(3) $\frac{6}{9}$

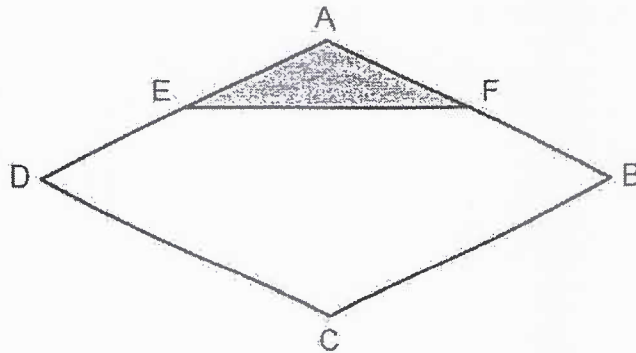
(4) $\frac{7}{11}$

- 2 Find $\angle y$.



- (1) 58°
 (2) 90°
 (3) 87°
 (4) 122°

- 3 ABCD is a rhombus. E and F are midpoints of the 2 sides of the rhombus. What fraction of the rhombus is shaded?



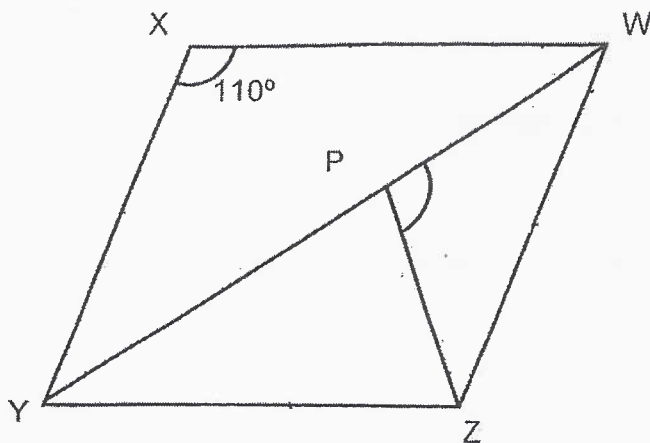
- (1) $\frac{1}{3}$
 (2) $\frac{1}{4}$
 (3) $\frac{1}{6}$
 (4) $\frac{1}{8}$

Do not write
in this space

- 4 Mr Lim had a sum of money. He gave $\frac{2}{5}$ of the money to his son and shared the remainder equally between his 2 daughters. What fraction of the sum of money did each of his 2 daughters receive?

- (1) $\frac{3}{10}$
 (2) $\frac{1}{5}$
 (3) $\frac{3}{5}$
 (4) $\frac{5}{6}$

- 5 WXYZ is a rhombus. $\angle PWZ$ is $\frac{5}{7}$ of $\angle PZW$. Find $\angle WPZ$.



- (1) 90°
 (2) 96°
 (3) 110°
 (4) 120°

Do not write
in this space

Questions 6 to 9 carry 1 mark each. Questions 10 to 14 carry 2 marks each. Show your workings clearly in the space below each question and write your answers in the answer spaces provided. For questions which require units, give your answers in the units stated. (14 marks)

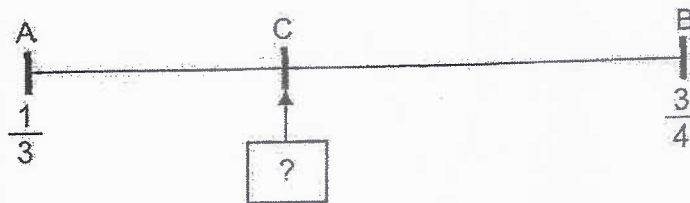
Do not write in this space

- 6 Arrange the following from the smallest to the largest.

$$1\frac{1}{6}, 1.2, \frac{8}{7}$$

Ans: _____

- 7 AC is $\frac{2}{3}$ of CB. What fraction is represented at C?



Ans: _____

- 8 In a class library, $\frac{3}{5}$ are fiction books and the rest are non-fiction books. $\frac{1}{3}$ of the non-fiction books are magazines. The rest of the non-fiction books are historical books. What fraction of the class library books are historical books?

Do not write
in this space

Ans: _____

- 9 Mary bought $\frac{9}{10}$ m of ribbon. She used $\frac{5}{6}$ of it to tie a present. With the remaining ribbon, she used it to make 3 bows. How much ribbon was used to make 1 bow?

Ans: _____ m

- 10 Mrs Wong bought $\frac{7}{8}$ kg of flour to bake some cakes. She needs *After baking as many cakes as possible.* 0.25 kg of flour for 1 cake. What is the mass of flour left?

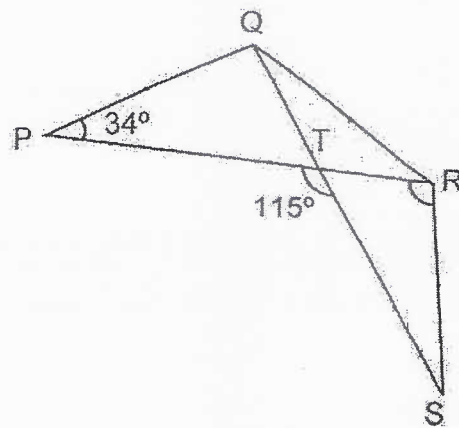
Ans: _____ kg

- 11 Andrew, Chris, Jeremy and Glen sold some funfair tickets.
 Both Andrew and Glen sold $\frac{1}{5}$ of the tickets each. Chris sold 12 tickets more than Andrew and Jeremy sold 30 tickets. How many tickets did they sell altogether?

Do not write in this space

Ans: _____

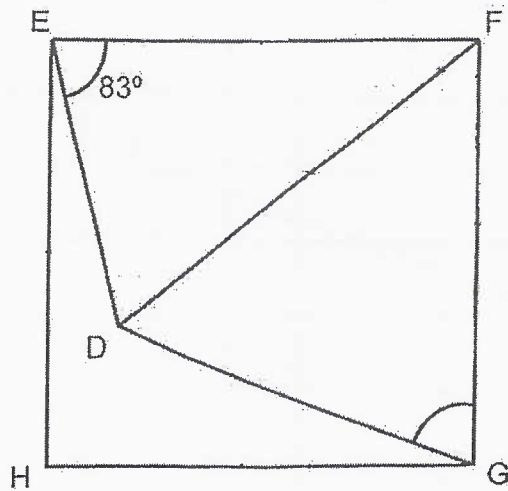
- 12 In the figure, PTR and QTS are straight lines. $PQ = QR = RS$. Find $\angle TRS$.



Ans: _____

13

In the figure, EFGH is a square. $EF = FD$ and $\angle DEF = 83^\circ$.
Find $\angle FGD$.



Do not write
in this space

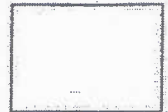
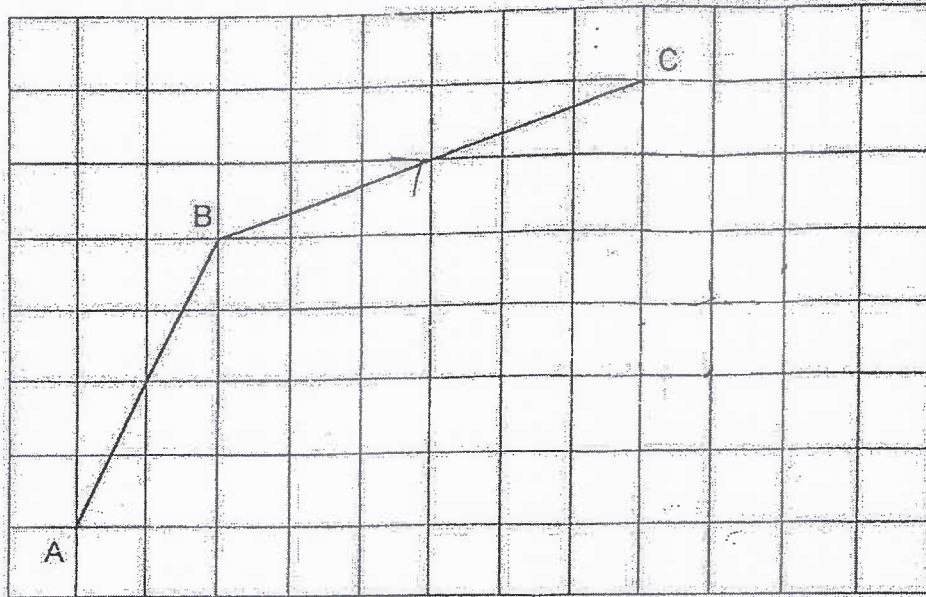
Ans: _____^o



14

In the square grid below, AB and BC form 2 sides of a trapezium.
 BC is parallel to AD. $\angle BCD$ is a right angle.
 Complete the drawing of the trapezium ABCD in the grid below.

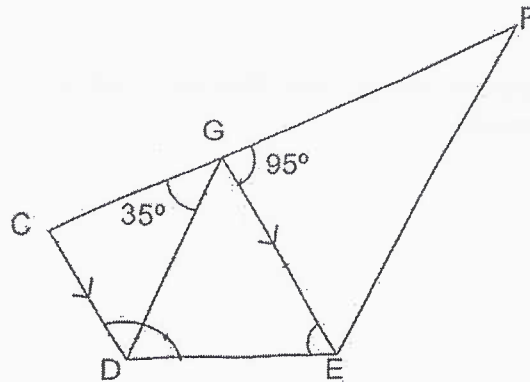
Do not write
 in this space



For questions 15 and 16, show your working clearly and write your answers in the spaces provided. The number of marks available is shown in brackets [] at the end of each question or part-question. (8 marks)

Do not write in this space

- 15 In the figure, CD is parallel to GE and $GD = GE$. CGF is a straight line.



- (a) Name a trapezium.

Ans: (a) _____ [1]

- (b) Name a pair of angles in the figure above that add up to 180°

Ans: (b) _____ [1]

- (c) Find $\angle CDE$.

Ans: (c) _____ [2]

16

Ali, Bala and Charles had 60 marbles altogether. Ali gave $\frac{3}{10}$ of his marbles to Bala and $\frac{1}{5}$ of his marbles to Charles. In the end, all 3 boys had the same number of marbles.

- (a) Who had more marbles at first, Bala or Charles?
How many more?

Ans: (a) Name of child: _____
Number of marbles: _____ [3]

- (b) What fraction of the total number of marbles did Bala have at first?

Ans: (b) _____ [1]

Do not write
in this space

END OF PAPER

